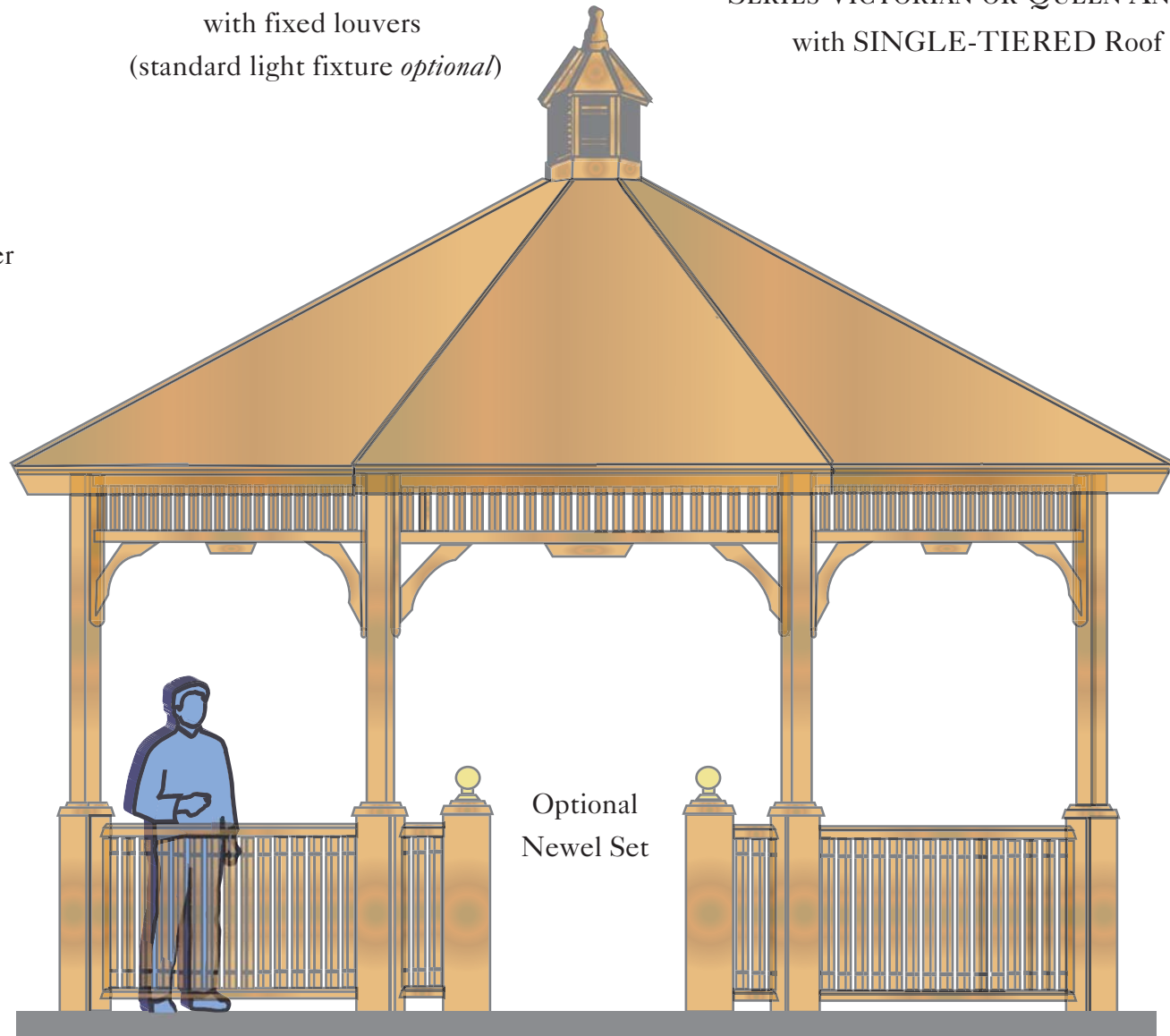


MODULAR GAZEBO KIT
SERIES VICTORIAN OR QUEEN ANNE 21'
with SINGLE-TIERED Roof

Octagonal CUPOLA
with fixed louvers
(standard light fixture *optional*)

Lumber:
Western Red CEDAR
Cabinet = #1 or
Carpentry = #D & Better
Shingles:
5X / 16" long / 1/2" thick
or 16 oz. copper

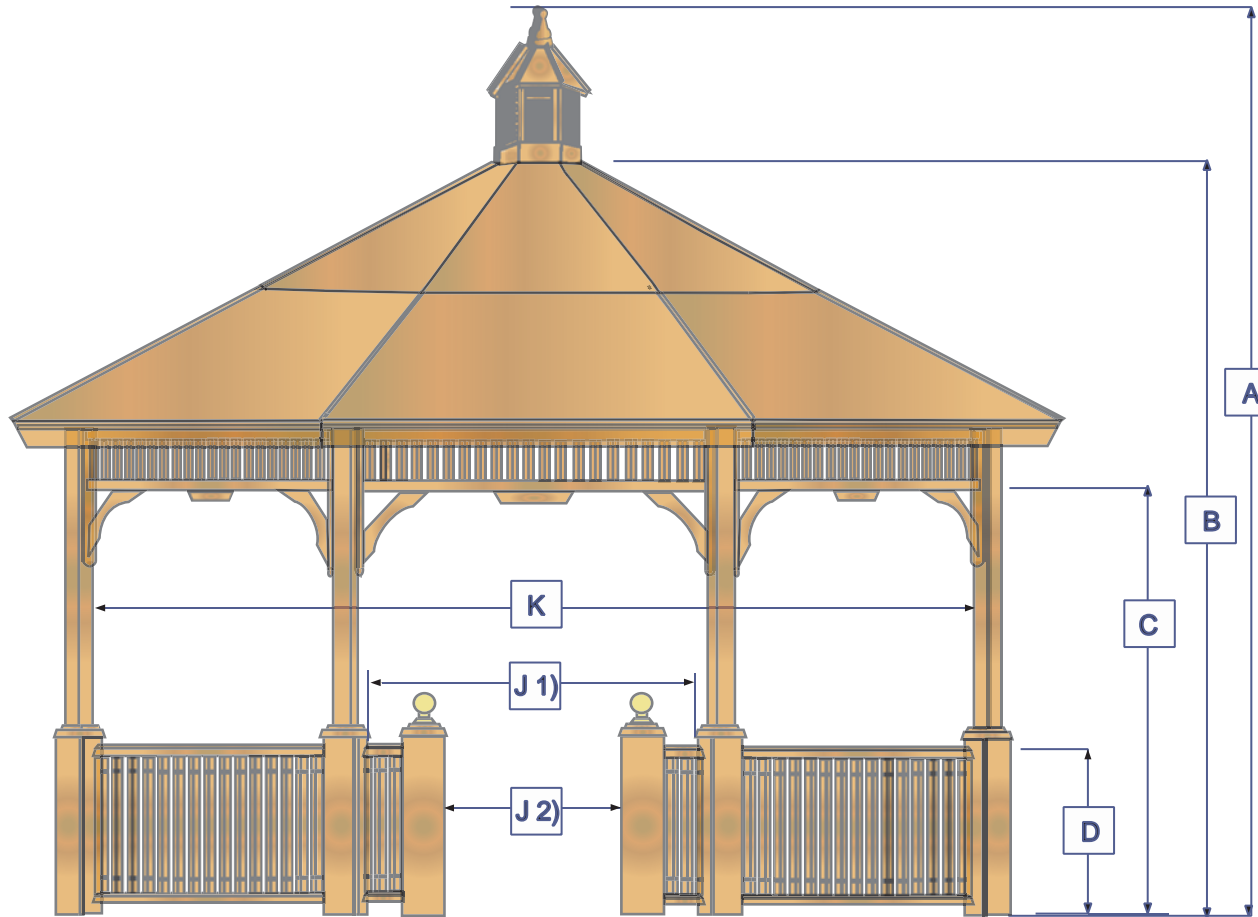


**VIXEN HILL CEDAR
PRODUCTS**

P.O.Box 389 - Elverson, PA 19520
800-423-2766

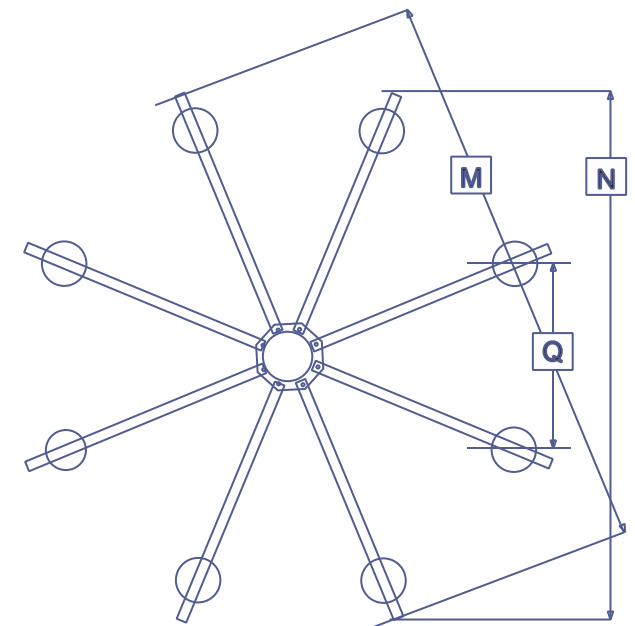
Created by: Andrea Beringer Date: May 2013

Drawing: 1 of 8
Model: 21A without floor



SIZE & DIMENSIONS

| | |
|---------------------------------------|------------|
| Key: Based on roof type | 21A |
| *A: Height, Overall | 251" |
| B: Height, Grade/peak | 211" |
| C: Height, Entrance Max. | 98" |
| D: Height, Railing | 42" |
| F: Height, grade/floor | 14" |
| *G: Height, piling-exp. | 3 1/4" |
| H: Height, piling-overall | 44" |
| J 1): Width, Entrance (no newel sets) | 78" |
| J 2): Width, Entrance with newel sets | 36" |
| K: Width, Interior Min. | 216" |
| M: Width, Point to Point | 249 3/16" |
| N: Width, Flat to Flat | 230 3/16" |
| Q: Center Post to Center Post | 86" |



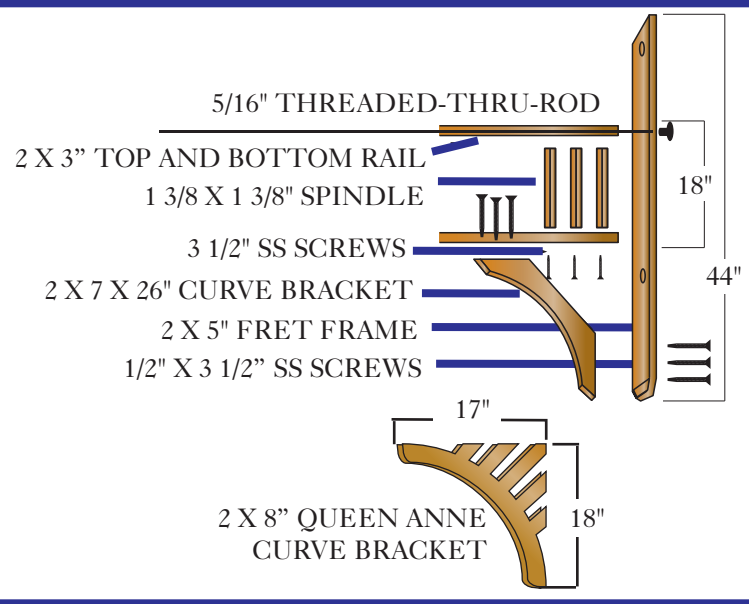
**VIXEN HILL CEDAR
PRODUCTS**

P.O.Box 389 - Elverson, PA 19520
800-423-2766

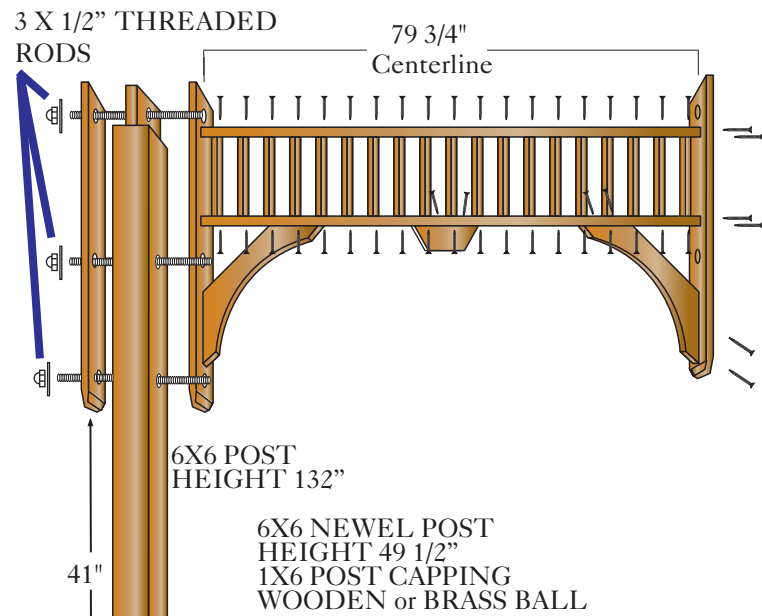
Created by: Andrea Beringer Date: May 2013

Drawing: 2 of 8
Model: 21' without floor

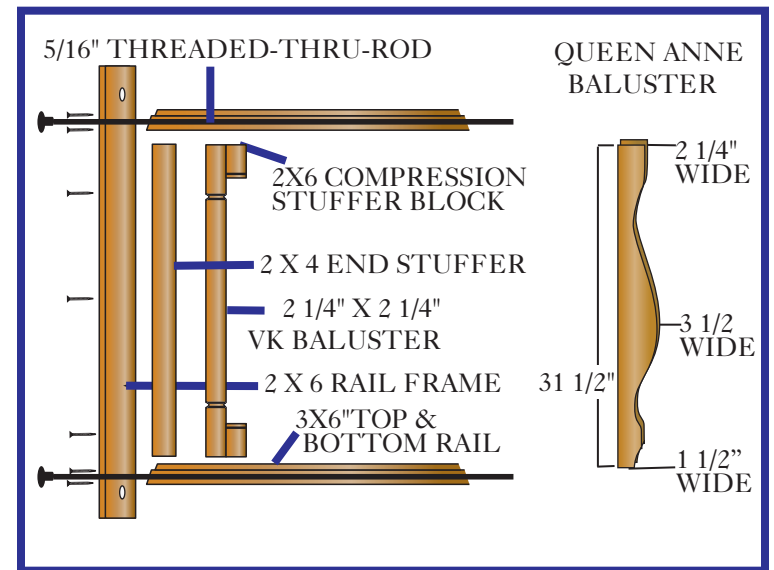
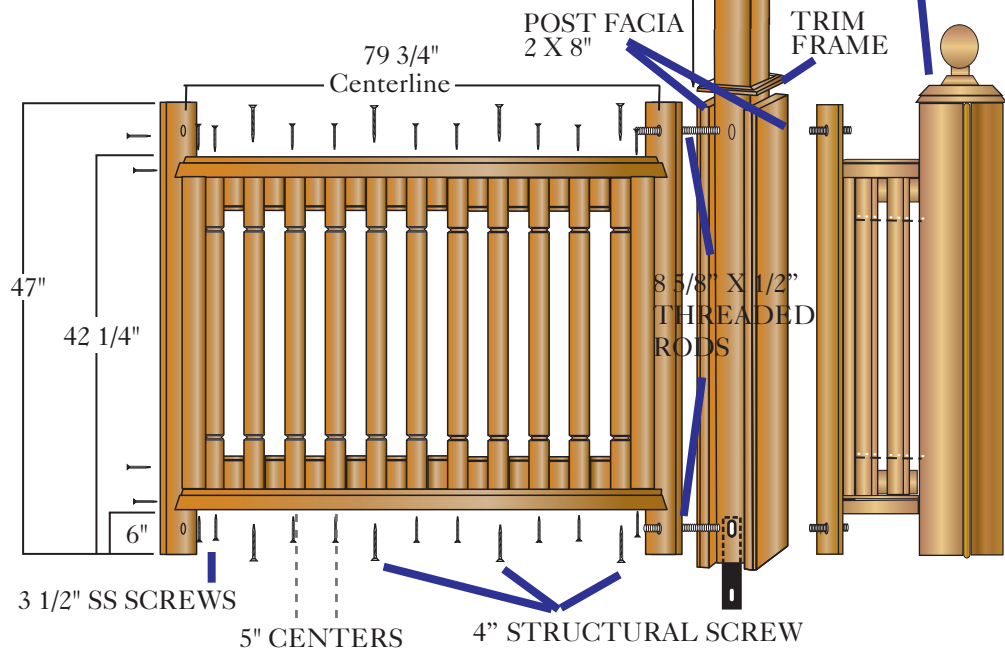
FRET CONSTRUCTION & ATTACHMENT



POST, FRET & RAIL CONNECTION



RAIL CONSTRUCTION & ATTACHMENT



VIXEN HILL CEDAR PRODUCTS
 P.O.Box 389 - Elverson, PA 19520
 800-423-2766

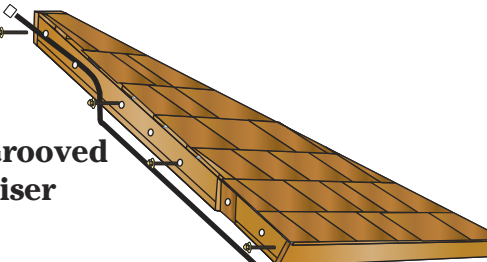
Created by: Andrea Beringer Date: May 2013

Drawing: 3 of 8
 Model: 21'

Light Fixture
(max. 500W)



Grooved
Riser



14-2 UF/B with ground

Hidden Wire
through
Channeled
Post

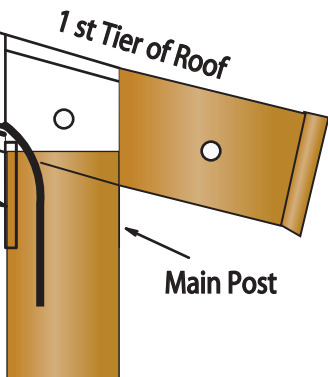
Electric Outlet
w/switch &
receptacle (GFI)

Note: For concrete slab use conduit
through void (see slab instructions)

Floor Board
w/pre-drilled hole



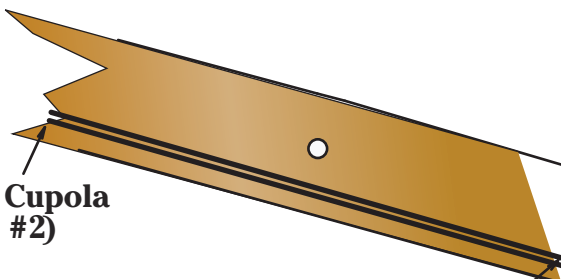
1st Tier of Roof



Electrical Channel
Filler Strip

Main Post

Channel to Cupola
(wire #2)



Additional Options:
Outlet posts (dual)
Fan Control post (fan/light)
Channel Posts (for custom wiring)

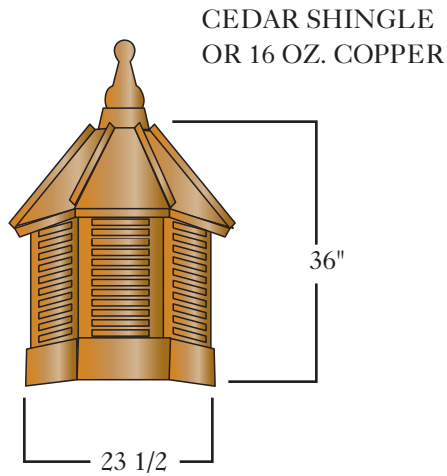


**VIXEN HILL CEDAR
PRODUCTS**
P.O.Box 389 - Elverson, PA 19520
800-423-2766

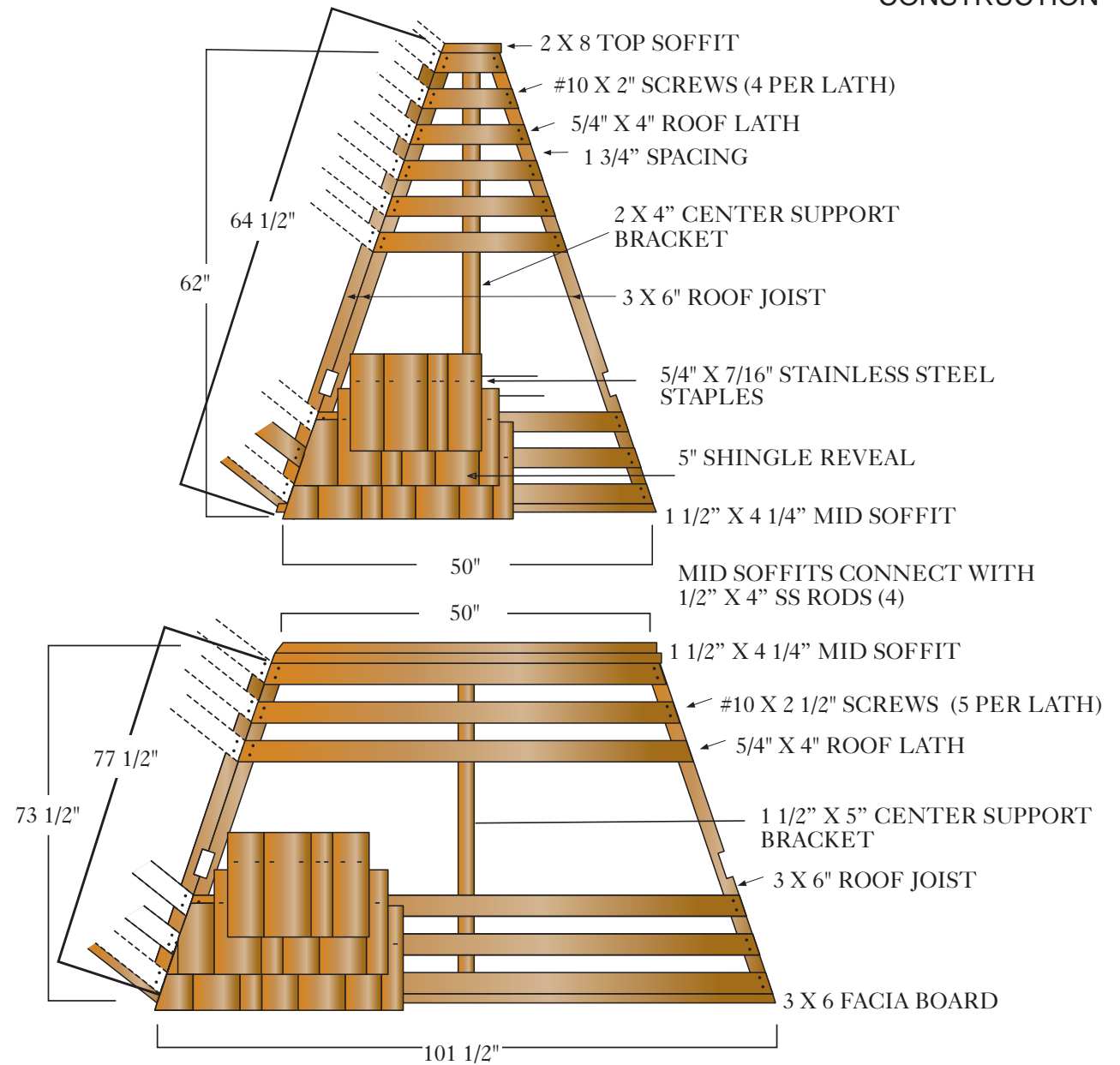
Created by: Andrea Beringer Date: Apr 2012

Model: Pavilion 1-tiered roof

ROOF CONSTRUCTION



STAINLESS STEEL SCREW FROM THE UNDER SIDE OF THE ROOF LATH FASTEN IT TO THE ROOF.



VIXEN HILL CEDAR PRODUCTS

P.O.Box 389 - Elverson, PA 19520
800-423-2766

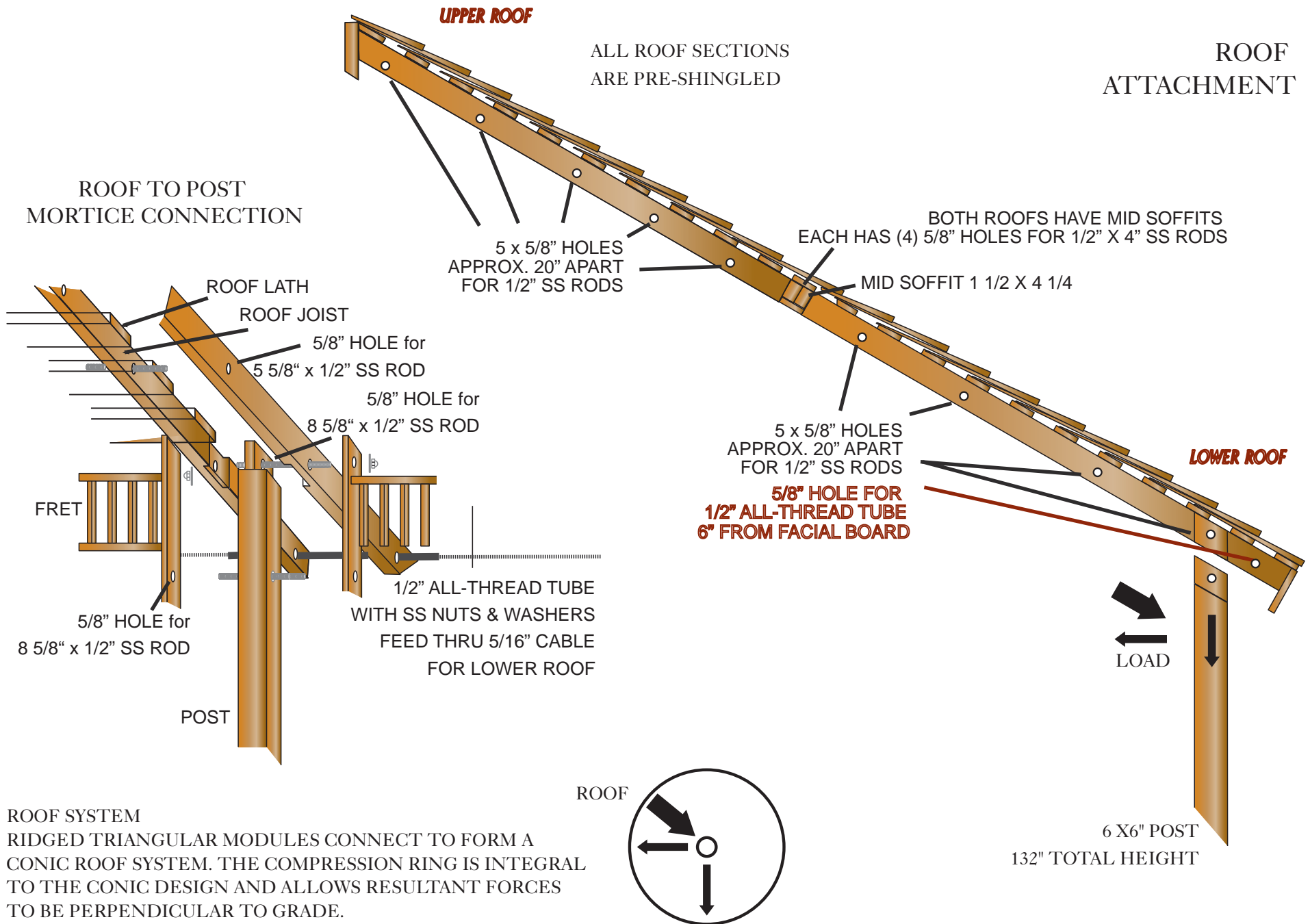
Created by: Andrea Beringer

Date: May 2013

Drawing: 5 of 8

Model: 21A

ROOF ATTACHMENT



VIXEN HILL CEDAR PRODUCTS

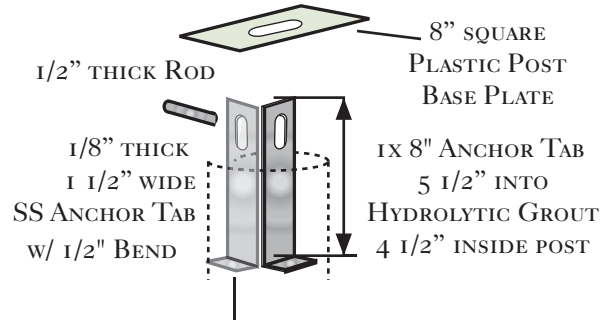
P.O. Box 389 - Elverson, PA 19520
800-423-2766

Created by: Andrea Beringer Date: May 2013

Drawing: 6 of 8
Model: 21A

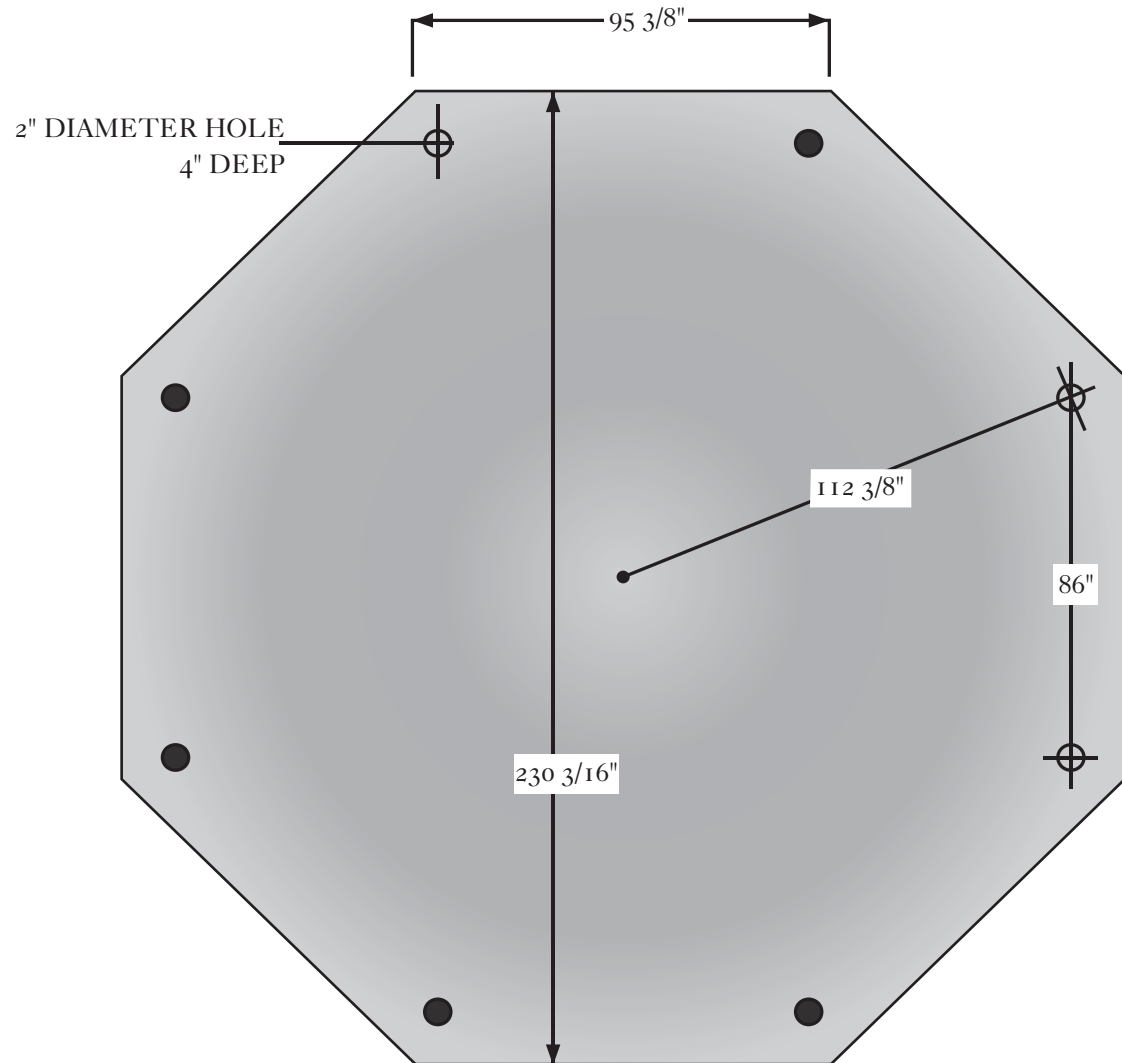
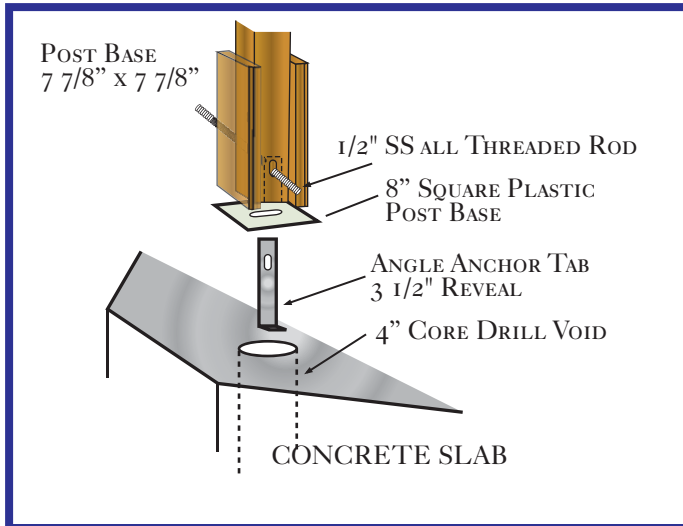
CONCRETE SLAB Dimensions for units WITHOUT FLOOR

ANCHORING HARDWARE DIMENSIONS



ADD ADDIT. ANCHOR FOR HURRICANE LOCATIONS!

POST ANCHORING ON CONCRETE SLAB



VIXEN HILL CEDAR PRODUCTS

P.O. Box 389 - Elverson, PA 19520
800-423-2766

Created by: Andrea Beringer Date: May 2013

Model: 21'

Drawing: 7 of 8

SPECIFICATIONS FOR THE CABINET MODELS (21', 24', 27' AND 30')

PART 1 GENERAL

1.1 SCOPE. THE CONTRACTOR SHALL FURNISH AND INSTALL A WOODEN GAZEBO AS SHOWN ON PLANS AND HEREIN SPECIFIED AS SUPPLIED BY VIXEN HILL MFG. CO. INC., OF ELVERSON, PA 19520.

PART 2 PRODUCT

2.1 WOOD MATERIALS. GAZEBOS FOR CABINET SHALL BE FABRICATED FROM AIR-DRIED, #1 OLD GROWTH & ROT RESISTANT WESTERN RED CEDAR. ALL WOOD SHALL BE GRAIN SELECTED DURING IN-HOUSE MILLING FOR BEST APPLICATION AND SAFE USE.

2.2 ROOFING SYSTEM. SHINGLES SHALL BE OF OR EQUAL TO #1 PERFECTION CLEAR HEART CEDAR AND PER THE FOLLOWING SPECIFICATIONS 5X, 16" LONG, 1/2" THICK, TAPERED. ROOF LATH SHALL BE OF NO LESS THAN NET FINISHED SIZE 1X3" WITH A 5" SPACING. ROOF SECTIONS SHALL BE COMPLETELY PRE-ASSEMBLED AND PRE-CUT, AND JOINTS BETWEEN ROOF SECTIONS SHALL BE SELF-SEALING TO PRECLUDE CAPPING. CAULK IS RECOMMENDED TO BE USED AT THE ROOF JOIST. OPTIONAL COPPER ROOF IS 16OZ. STANDING SEAM ON 5/8 CEDAR T&G.

2.3 SURFACE FINISH. ALL WOOD MEMBERS SHALL BE SURFACED FOUR SIDES. SURFACES DISPLAYING PLANER SKIPS OR SAW MARKS AFTER DRESSING SHALL BE LIMITED TO LESS THAN 25% OF SHOWN FACES. HAND CONTACT EDGES MAY BE ROUNDED, CHAMFERED, OR EDGE-SHAPED FREE OF SPLINTERS AND SMOOTH TO THE TOUCH. ALL EXPOSED SURFACES SHALL BE PREPARED FOR MAXIMUM ACCEPTANCE OF OIL-BASED FINISHES (OPTIONAL WITH ADDITIONAL COST).

2.4 HARDWARE. ALL ASSEMBLY & ANCHORING HARDWARE SHALL BE PROVIDED. ALL ASSEMBLY HARDWARE IN VIEW SHALL BE OF STAINLESS STEEL (CAP NUTS & WASHERS) AND OF A FINISH TYPE TO CONCEAL ALL THREADS. CONCEALED ASSEMBLY HARDWARE SHALL BE OF STAINLESS STEEL FOR CABINET GRADE (THREADED RODS). ALL HARDWARE IN GROUND CONTACT SHALL BE OF STAINLESS STEEL FOR CABINET GRADE. NO NAILS SHALL BE REQUIRED OR PROVIDED.

2.5 ELECTRICAL. STANDARD FOR CABINET GRADE. THE PRE-WIRED POST PROVIDES 110V ELECTRICAL SERVICE THROUGH 14-2 UF/B WITH GROUND. THE POST HAS AN ELECTRICAL BOX WITH (GFI) RECEPTACLE AND LIGHT SWITCH. THE LIGHT FIXTURE IS SCREWED INSIDE THE CUPOLA FOR UP TO 500W STRENGTH. WIRES SHALL BE HIDDEN WITHIN THE COMPONENT PARTS THROUGH GROOVED ROOF SECTION AND CHANNELED POST. ALL ELECTRICAL COMPONENTS SHALL BE UL APPROVED.

2.6 CONNECTIONS & ANCHORING. FACTORY MODULE CONSTRUCTION SHALL INCLUDE POCKET JOINTS AND STAINLESS STEEL THREADED FASTENERS. ON-SITE INTERCONNECTION OF MODULES SHALL BE ACHIEVED USING THREADED RODS AND STAINLESS OR BRASS CAP NUTS AND WASHERS. ANCHORING SHALL BE CONCEALED AND APPROPRIATE TO THE SURFACE MOUNTING MATERIAL. ONLY SIMPLE HAND TOOLS SHALL BE REQUIRED FOR ASSEMBLY.

2.7 ENGINEERING. DESIGN OF CONNECTIONS AND MATERIALS USED SHALL BE SUCH AS TO ADHERE TO STRUCTURAL REQUIREMENTS OF MAJOR BUILDING CODES. DRAWINGS AND REPRESENTATIVE ENGINEERING SHALL BE AVAILABLE FROM THE MANUFACTURER FOR THE PURPOSE OF PERMITS OR ARCHITECTURAL REVIEW.

PART 3 EXECUTION

3.1 PREFABRICATION. ALL COMPONENT PARTS SHALL BE PRE-ASSEMBLED TO THE FULLEST EXTENT POSSIBLE, TO PRECLUDE ANY ON-SITE DRILLING, CUTTING, FILLING, NAILING OR SANDING. ALL PREFABRICATION FASTENERS SHALL BE HIDDEN FROM VIEW OR CHANNELED AND STRIPPED WITH MATCHING WOOD WHERE VISIBLE.

3.2 INSTALLATION. THE GAZEBO KIT SHALL BE SUPPLIED WITH ALL NECESSARY HARDWARE, SHOP DRAWINGS AND COMPLETE INSTRUCTIONS TO PROVIDE FOR EFFICIENT ON-SITE ASSEMBLY. AVERAGE ASSEMBLY TIME ON A PREPARED FOUNDATION SHALL NOT EXCEED 32 MAN-HOURS.



**VIXEN HILL CEDAR
PRODUCTS**

P.O. Box 389 - Elverson, PA 19520
800-423-2766

Created by: Andrea Beringer

Date: Apr 2013

Drawing: 8 of 8

Model: Pavilions