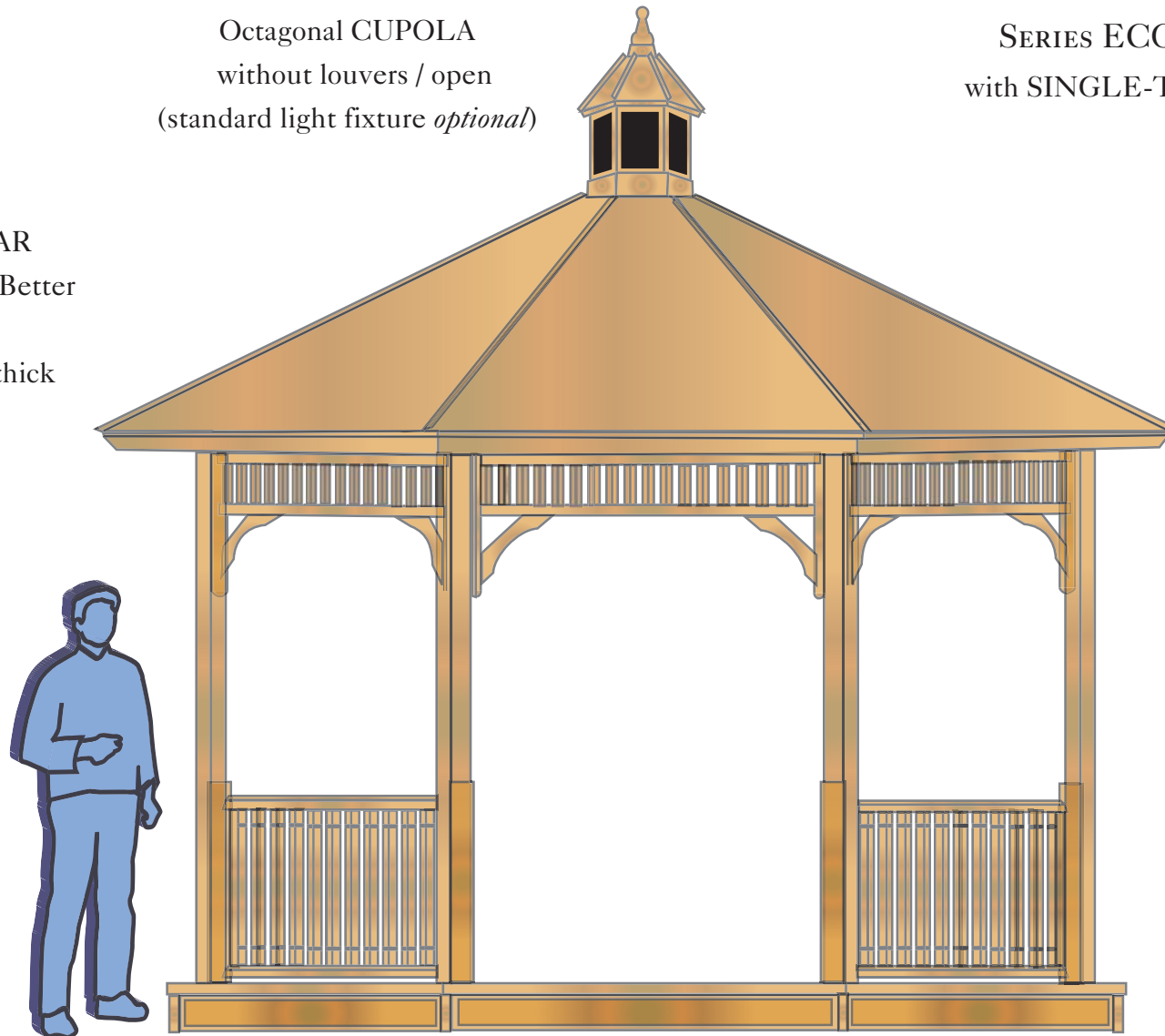


MODULAR GAZEBO KIT
SERIES ECONOMY 15'
with SINGLE-TIERED Roof

Octagonal CUPOLA
without louvers / open
(standard light fixture *optional*)

Lumber:
Western Red CEDAR
Carpentry = #D & Better
Shingles:
5X / 16" long / 1/2" thick
or 16 oz. copper



6" SOLID skirt

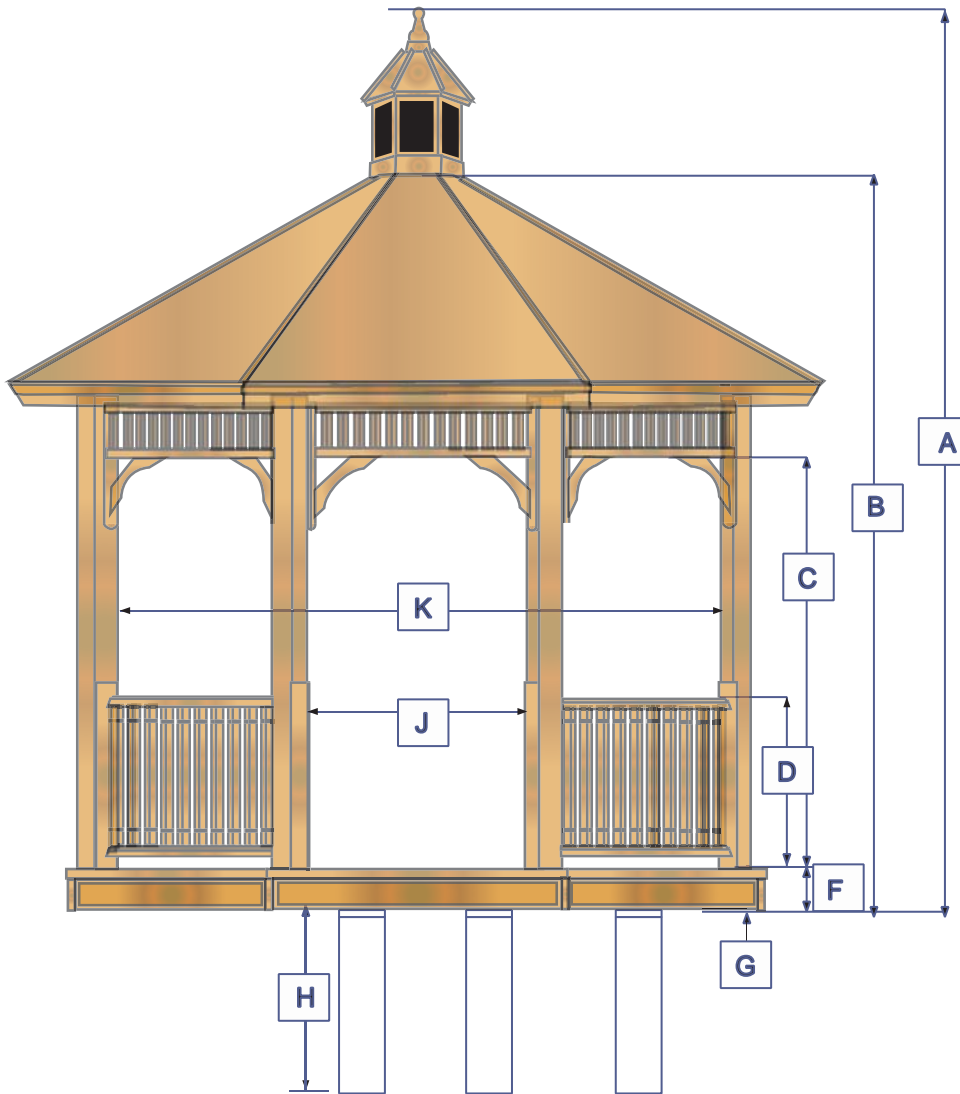


**VIXEN HILL CEDAR
PRODUCTS**

P.O. Box 389 - Elverson, PA 19520
800-423-2766

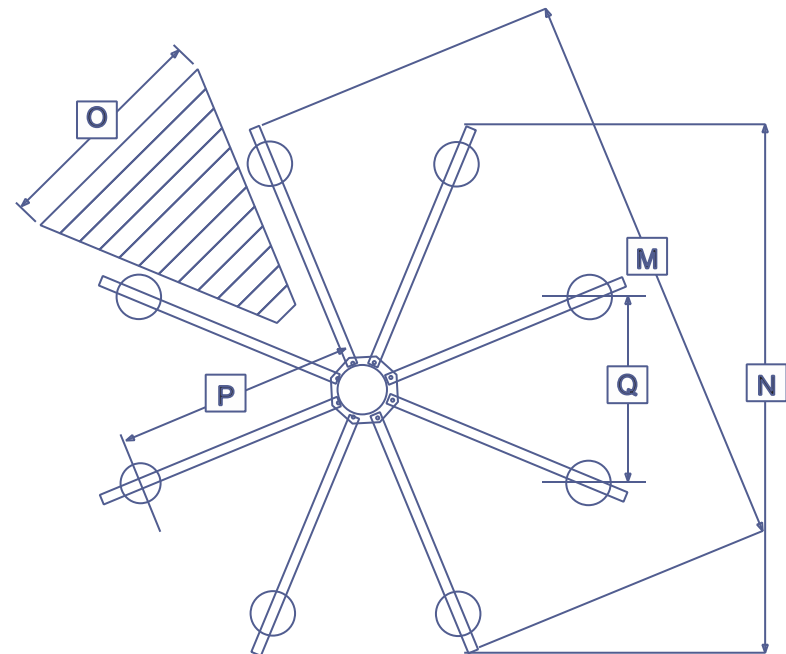
Created by: Andrea Beringer Date: Jun 2013

Drawing: 1 of 8
Model: EC-15A



SIZE & DIMENSIONS

Key: Based on roof type	15A
*A: Height, Overall	170"
B: Height, Grade/peak	140"
C: Height, Entrance Max.	79"
D: Height, Railing	30"
F: Height, grade/floor	8"
*G: Height, piling-exp.	1"
H: Height, piling-overall	37"
J: Width, Entrance Std.	57"
K: Width, Interior Min.	154"
M: Width, Point to Point	180 1/4"
N: Width, Flat to Flat	166 1/2"
O: Length, Side	69"
**P: Radius, Piling Cntrs.	81"
Q: Spread, Piling Cntrs.	62"
R: Piling, Max. Diameter	8"
*G Measure Based on 6 Inch Trellis	



**VIXEN HILL CEDAR
PRODUCTS**

P.O.Box 389 - Elverson, PA 19520
800-423-2766

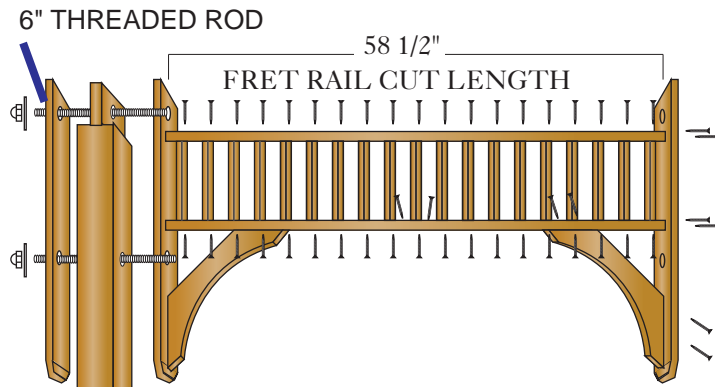
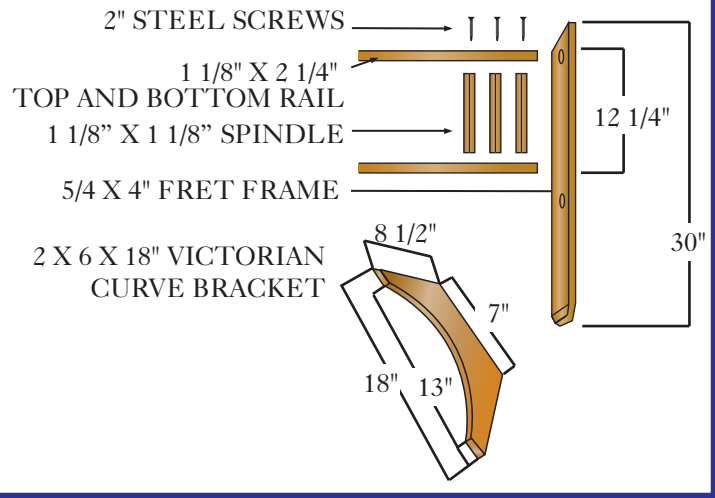
Created by: Andrea Beringer

Date: Jun 2013

Drawing: 2 of 8

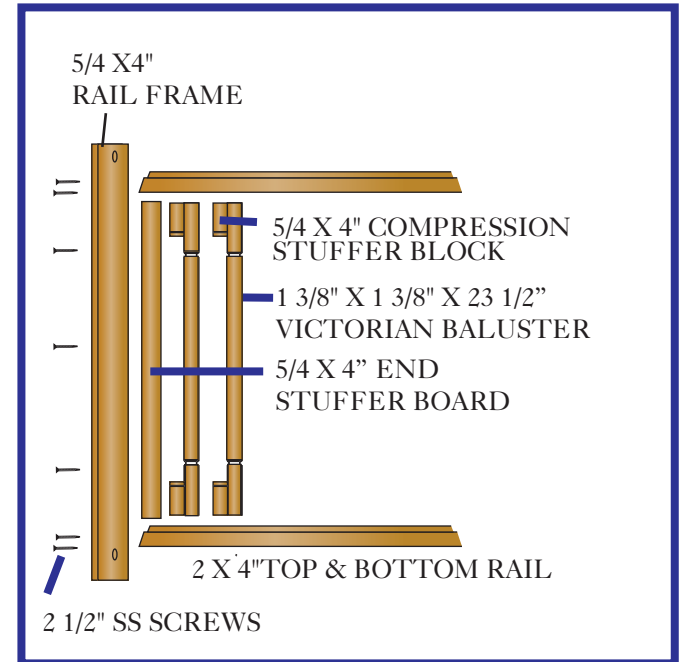
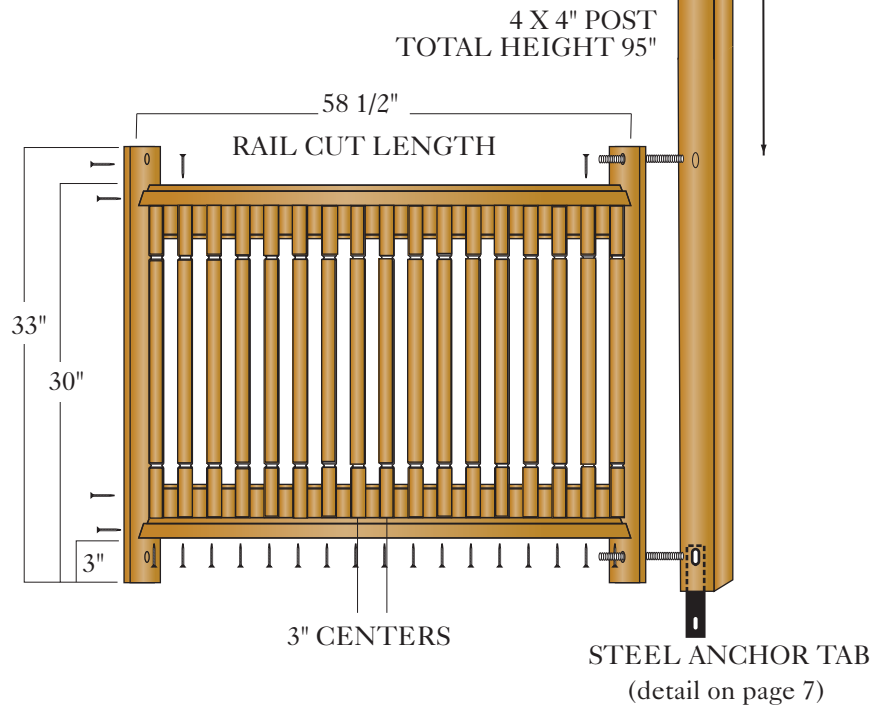
Model: EC-15A

FRET MODULE CONSTRUCTION



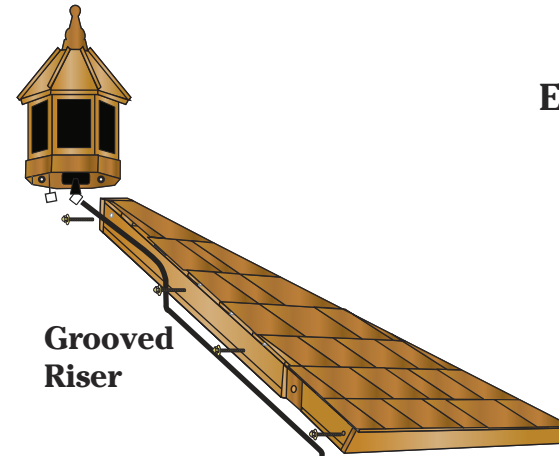
FRET & RAIL CONNECTION

RAIL MODULE CONSTRUCTION



**OPTIONAL -
Electrical Post**

**Light Fixture
(max. 500W)**



**Grooved
Riser**

**All Economy Models are
without Electrical Option
UNLESS added!**

Additional Options:

- Outlet posts (dual)**
- Fan Control post (fan/light)**
- Channel Posts (for custom wiring)**

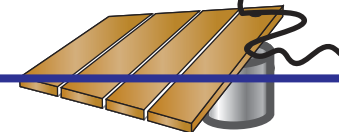
14-2 UF/B with ground

**Hidden Wire
through
Channeled
Post**

**Electric Outlet
w/switch &
receptacle (GFI)**

**Floor Board
w/pre-drilled hole**

**Note: For concrete slab use conduit
through void (see slab instructions)**



**VIXEN HILL CEDAR
PRODUCTS**
P.O.Box 389 - Elverson, PA 19520
800-423-2766

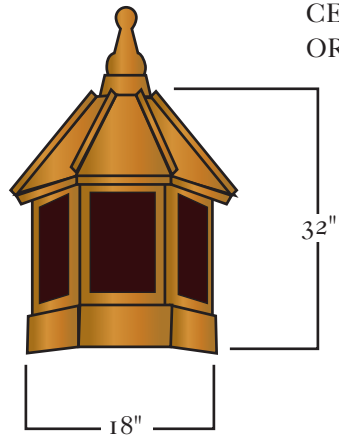
Created by: Andrea Beringer

Date: Jun 2013

Model: Economy Gazebos

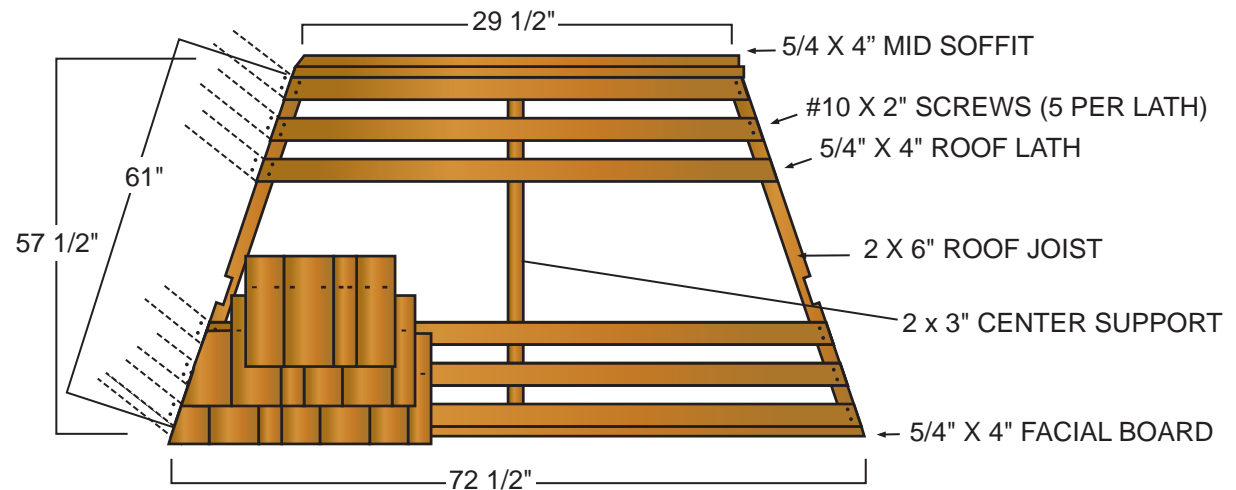
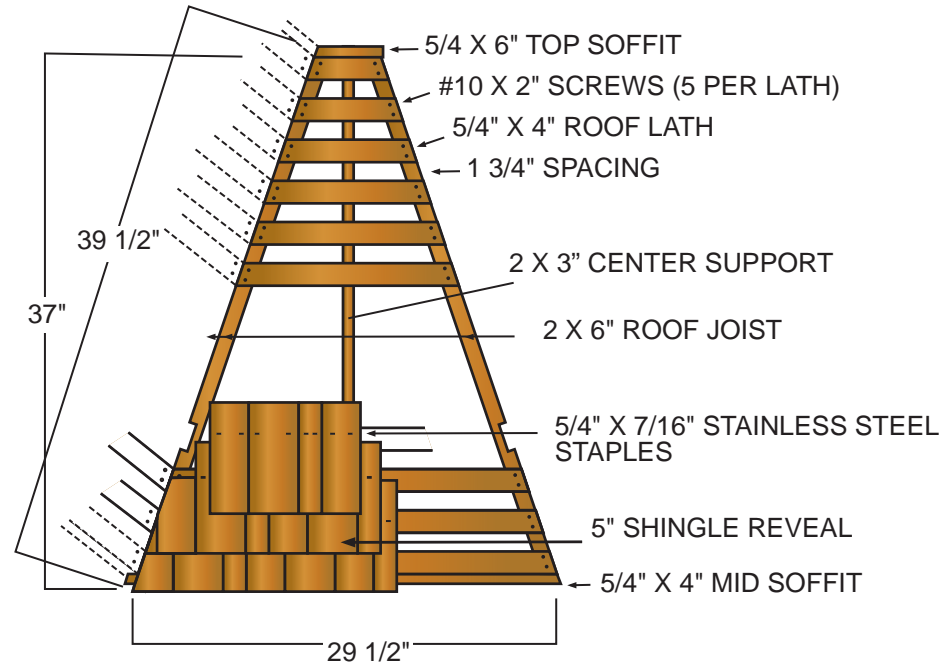
Drawing: 4 of 8

ROOF CONSTRUCTION



CEDAR SHINGLE
OR 16 OZ. COPPER

THE CUPOLA IS CONNECTED WITH STAINLESS STEEL SCREW FROM THE UNDER SIDE OF THE ROOF LATH.



Nominal Sizes



VIXEN HILL CEDAR PRODUCTS

P.O.Box 389 - Elverson, PA 19520
800-423-2766

Created by: Andrea Beringer Date: Jun 2013

Drawing:: 5 of 8

Model: EC-15A

ROOF ATTACHMENT

UPPER ROOF

LOWER ROOF

ROOF TO POST
MORTICE CONNECTION

ALL ROOF SECTIONS
ARE PRE-SHINGLED

BOTH ROOFS HAVE MID SOFFITS
EACH HAS (2) 1/2" HOLES FOR 1/2" X 4" SS RODS

TWO MID SOFFIT 5/4" X 4"

5 X 1/2" HOLES
APPROX. 20" APART
FOR 3/8" SS RODS

1 X 5/8" HOLE

ROOF LATH
ROOF JOIST

1/2" HOLE for
3 7/8" x 3/8" SS ROD

5/8" HOLE for
5 3/8" x 3/8" SS ROD

1/2" HOLE for
5 3/8" x 3/8" SS ROD

FRET FRAME

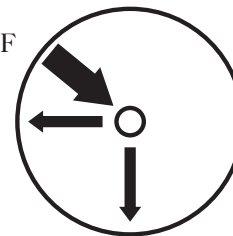
POST

LOAD
4 X 4" POST
95" TOTAL HEIGHT

ROOF SYSTEM

RIDGED TRIANGULAR MODULES CONNECT TO FORM A CONIC ROOF SYSTEM. THE COMPRESSION RING IS INTEGRAL TO THE CONIC DESIGN AND ALLOWS RESULTANT FORCES TO BE PERPENDICULAR TO GRADE.

ROOF



VIXEN HILL CEDAR PRODUCTS

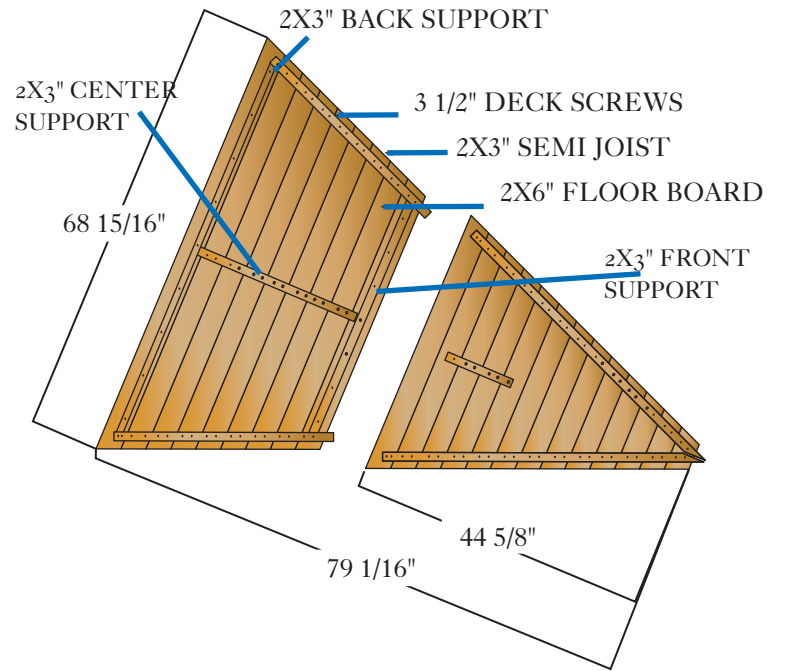
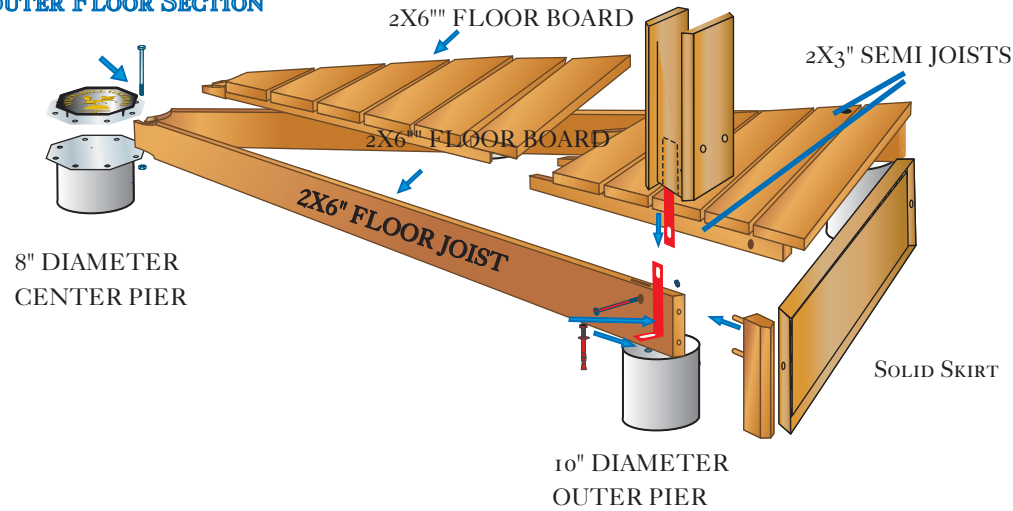
P.O.Box 389 - Elverson, PA 19520
800-423-2766

Created by: Andrea Beringer Date: Jun 2013

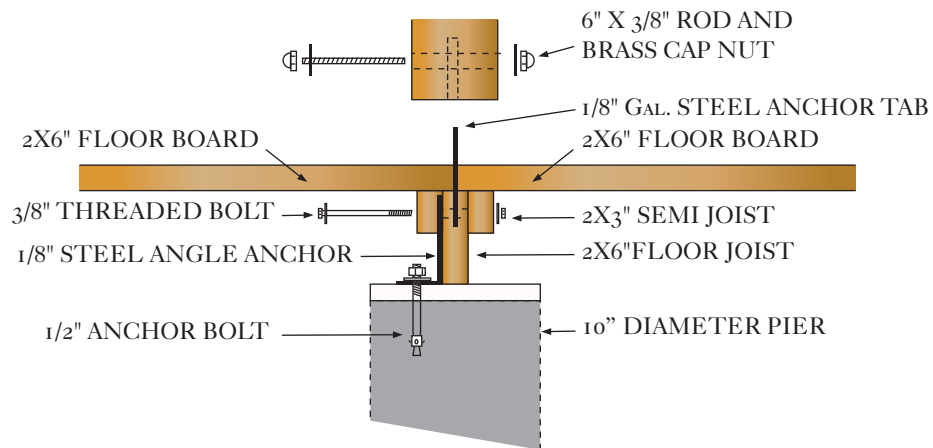
Drawing: 6 of 8
Model: EC-15A

FLOOR CONNECTIONS

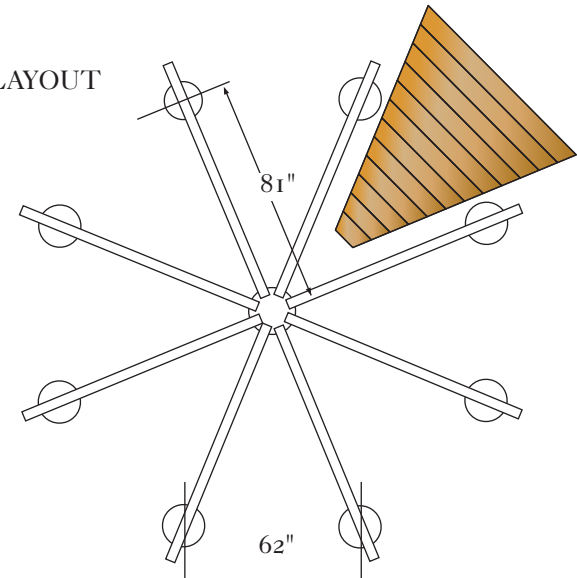
PLEASE NOTE:
THE 15' MODEL HAS AN INNER & OUTER FLOOR SECTION



END VIEW OF FLOOR ANCHORING



PILING LAYOUT



VIXEN HILL CEDAR PRODUCTS

P.O. Box 389 - Elverson, PA 19520
800-423-2766

Created by: Andrea Beringer Date: Jun 2013

Drawing: 7 of 8
Model: EC-15

SPECIFICATIONS FOR THE ECONOMY MODEL (9', 12' AND 15')

PART 1 GENERAL

1.1 SCOPE. THE CONTRACTOR SHALL FURNISH AND INSTALL A WOODEN GAZEBO AS SHOWN ON PLANS AND HEREIN SPECIFIED AS SUPPLIED BY VIXEN HILL MFG. CO. INC., OF ELVERSON, PA 19520.

PART 2 PRODUCT

2.1 WOOD MATERIALS. GAZEBO KIT SHALL BE FABRICATED FROM AIR-DRIED, SOUND TIGHT-KNOT (STK) OR BETTER OLD GROWTH & ROT RESISTANT WESTERN RED CEDAR. ALL WOOD SHALL BE GRAIN SELECTED DURING IN-HOUSE MILLING FOR BEST APPLICATION AND SAFE USE. WOOD CONTAINING LOOSE OR OPEN KNOTS SHALL BE LIMITED TO LESS THAN 25% OF MATERIAL USED.

2.2 ROOFING SYSTEM. SHINGLES SHALL BE OF OR EQUAL TO #1 PERFECTION CLEAR HEART CEDAR AND PER THE FOLLOWING SPECIFICATIONS 5X, 16" LONG, 1/2" THICK, TAPERED. ROOF LATH SHALL BE OF NO LESS THAN NET FINISHED SIZE 1X3" WITH A 5" SPACING. ROOF SECTIONS SHALL BE COMPLETELY PRE-ASSEMBLED AND PRE-CUT, AND JOINTS BETWEEN ROOF SECTIONS SHALL BE SELF-SEALING TO PRECLUDE CAPPING. CAULK IS RECOMMENDED TO BE USED AT THE ROOF JOIST.

2.3 SURFACE FINISH. ALL WOOD MEMBERS SHALL BE SURFACED FOUR SIDES. SURFACES DISPLAYING PLANER SKIPS OR SAW MARKS AFTER DRESSING SHALL BE LIMITED TO LESS THAN 25% OF SHOWN FACES. HAND CONTACT EDGES MAY BE ROUNDED, CHAMFERED, OR EDGE-SHAPED FREE OF SPLINTERS AND SMOOTH TO THE TOUCH. ALL EXPOSED SURFACES SHALL BE PREPARED FOR MAXIMUM ACCEPTANCE OF OIL-BASED FINISHES (OPTIONAL WITH ADDITIONAL COST).

2.4 HARDWARE. ALL ASSEMBLY & ANCHORING HARDWARE SHALL BE PROVIDED. ALL ASSEMBLY HARDWARE IN VIEW SHALL BE OF STAINLESS STEEL (CAP NUTS & WASHERS) AND OF A FINISH TYPE TO CONCEAL ALL THREADS. CONCEALED ASSEMBLY HARDWARE SHALL BE OF ZINC-YELLOW STEEL (3/8" THREADED RODS 6" & 4" LENGTH). ALL HARDWARE IN GROUND CONTACT SHALL BE OF GALVANIZED STEEL. NO NAILS SHALL BE REQUIRED OR PROVIDED.

2.5 ELECTRICAL. THE ECONOMY MODEL CAN BE PROVIDED WITH THE OPTIONAL ELECTRICAL POST (ADDITIONAL CHARGE). THE PRE-WIRED POST PROVIDES 110V ELECTRICAL SERVICE THROUGH WIRE (14-2 UF/B WITH GROUND). THE POST HAS AN ELECTRICAL BOX WITH (GFI) RECEPTACLE AND LIGHT SWITCH. THE LIGHT FIXTURE IS SCREWED INSIDE THE CUPOLA FOR UP TO 500W STRENGTH. WIRES SHALL BE HIDDEN WITHIN THE COMPONENT PARTS THROUGH GROOVED ROOF SECTION AND CHANNELED POST. ALL ELECTRICAL COMPONENTS SHALL BE UL APPROVED.

2.6 CONNECTIONS & ANCHORING. FACTORY MODULE CONSTRUCTION SHALL INCLUDE POCKET JOINTS AND STAINLESS STEEL THREADED FASTENERS. ON-SITE INTERCONNECTION OF MODULES SHALL BE ACHIEVED USING THREADED RODS AND STAINLESS OR BRASS CAP NUTS AND WASHERS. ANCHORING SHALL BE CONCEALED AND APPROPRIATE TO THE SURFACE MOUNTING MATERIAL. ONLY SIMPLE HAND TOOLS SHALL BE REQUIRED FOR ASSEMBLY.

2.7 ENGINEERING. DESIGN OF CONNECTIONS AND MATERIALS USED SHALL BE SUCH AS TO ADHERE TO STRUCTURAL REQUIREMENTS OF MAJOR BUILDING CODES. DRAWINGS AND REPRESENTATIVE ENGINEERING SHALL BE AVAILABLE FROM THE MANUFACTURER FOR THE PURPOSE OF PERMITS OR ARCHITECTURAL REVIEW.

PART 3 EXECUTION

3.1 PREFABRICATION. ALL COMPONENT PARTS SHALL BE PRE-ASSEMBLED TO THE FULLEST EXTENT POSSIBLE, TO PRECLUDE ANY ON-SITE DRILLING, CUTTING, FILLING, NAILING OR SANDING. ALL PREFABRICATION FASTENERS SHALL BE HIDDEN FROM VIEW OR CHANNELED AND STRIPPED WITH MATCHING WOOD WHERE VISIBLE.

3.2 INSTALLATION. THE GAZEBO KIT SHALL BE SUPPLIED WITH ALL NECESSARY HARDWARE, SHOP DRAWINGS AND COMPLETE INSTRUCTIONS TO PROVIDE FOR EFFICIENT ON-SITE ASSEMBLY. AVERAGE ASSEMBLY TIME ON A PREPARED FOUNDATION SHALL NOT EXCEED 15 MAN-HOURS.



**VIXEN HILL CEDAR
PRODUCTS**

P.O.Box 389 - Elverson, PA 19520
800-423-2766

Created by: Andrea Beringer

Date: Jun 2013

Drawing: 8 of 8

Model: EC