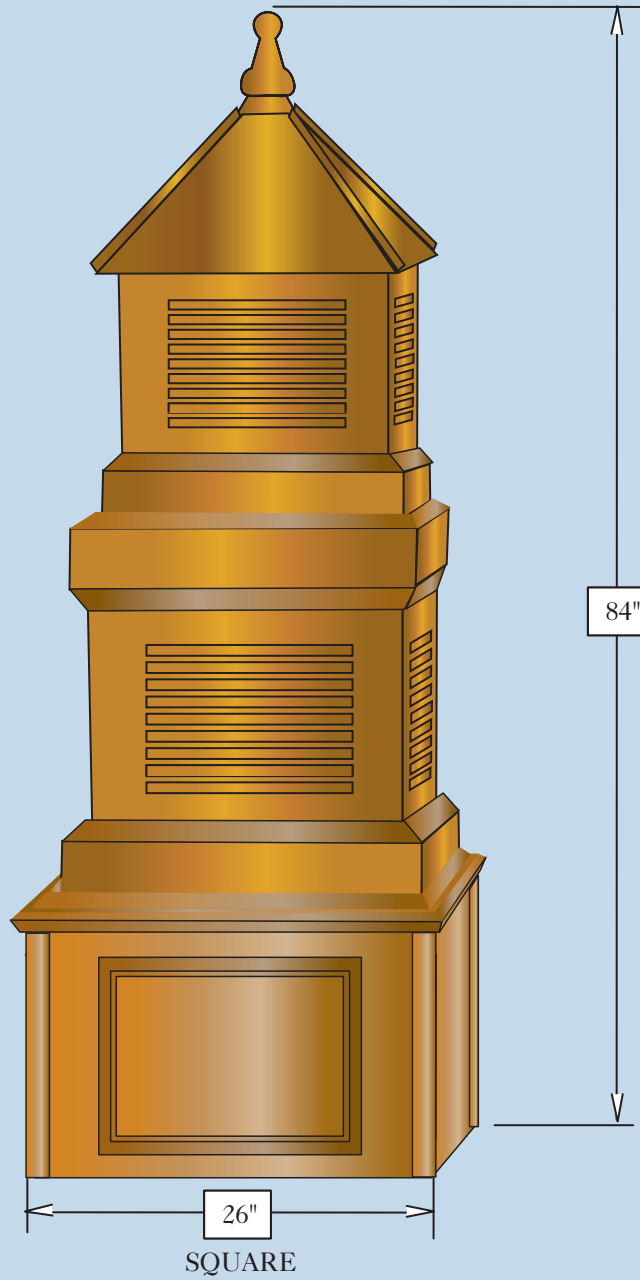


DOUBLE SQUARE CUPOLA
26" x 84"



Vixen Hill
Manufacturing Company

Main Street
Elverson Pa. [19520]
Phone: 610-286-0909
Fax 610-286-2099

SHEET TITLE: Double Cupola

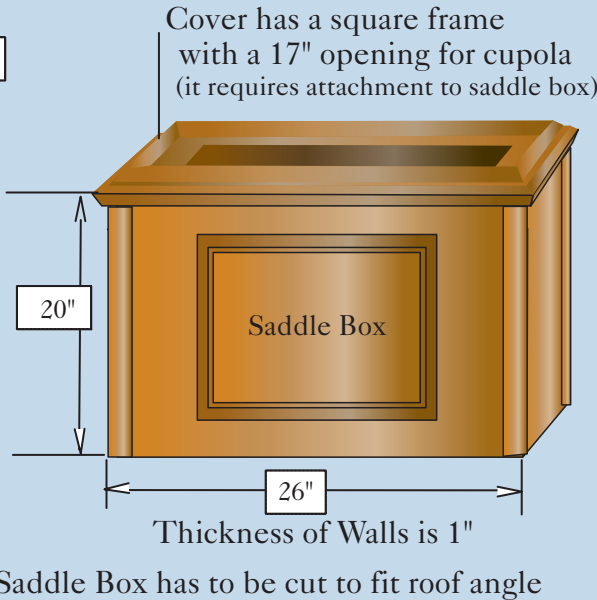
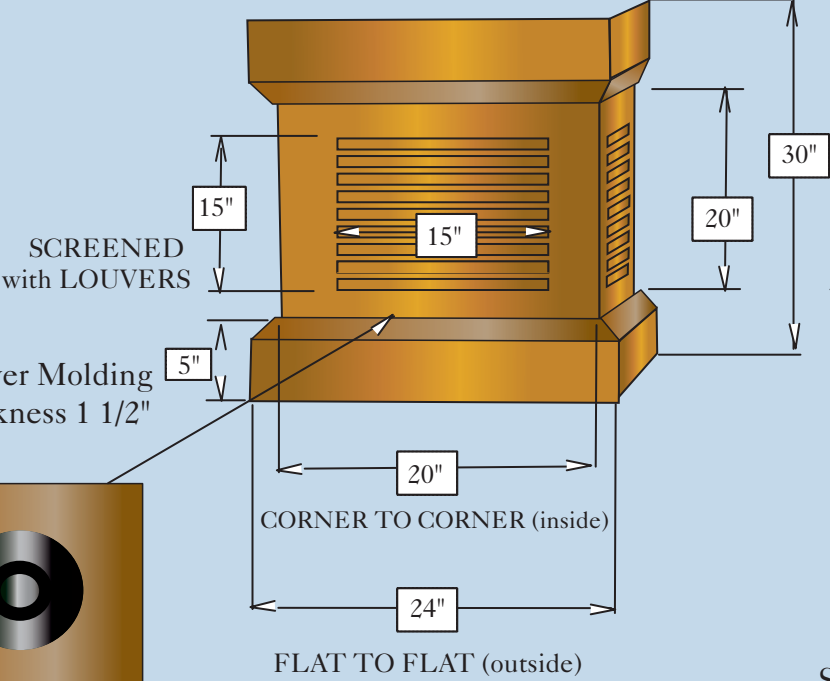
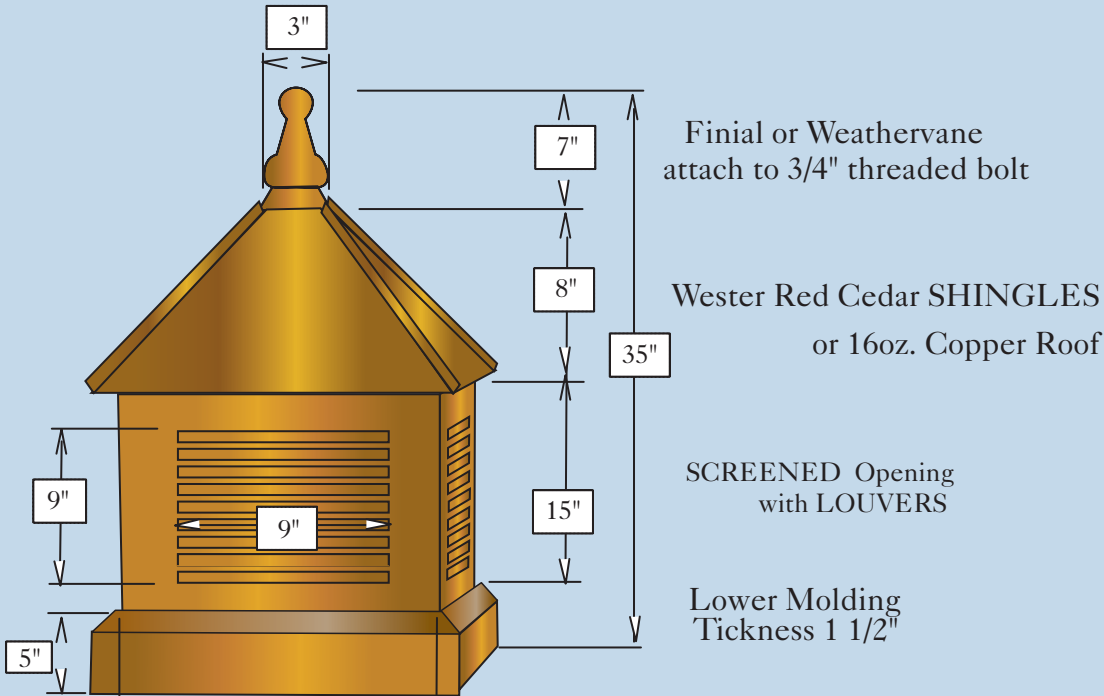
DRAWN BY: Andrea Beringer

Date: 09-2007

DRAWING NO: 001 MODEL: 26" x 84"

PROJECT: Cupola Structural System

Western Red Cedar SADDLE BOX,
BASE & BODY



LIGHT FIXTURE
in bottom of cupola

