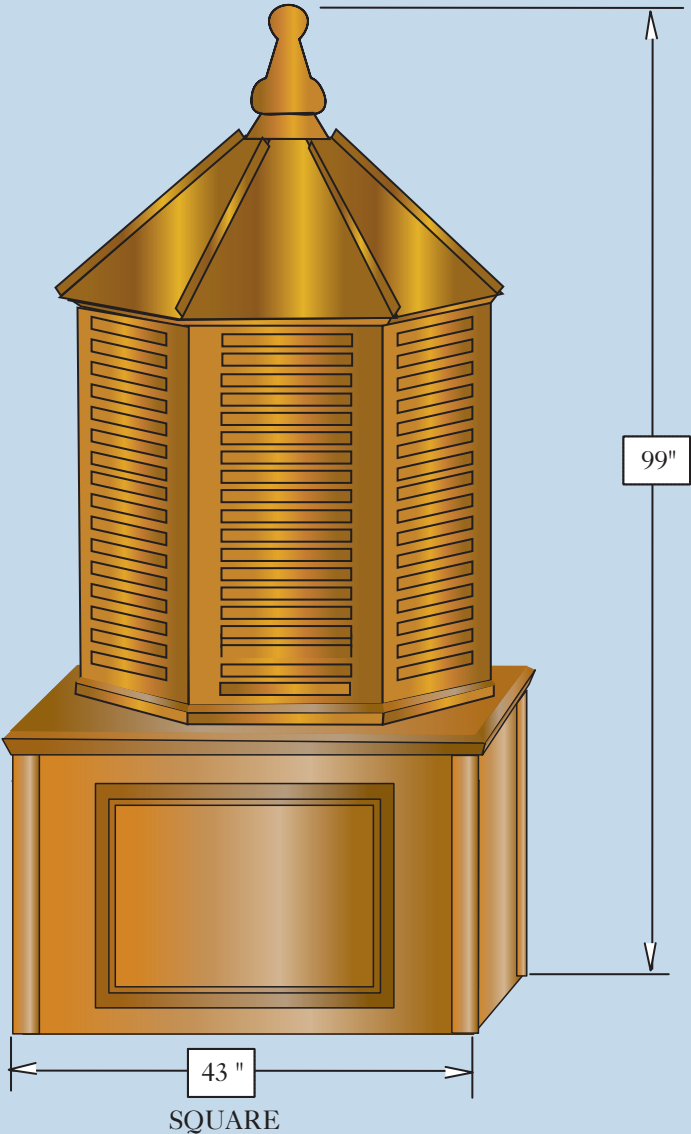
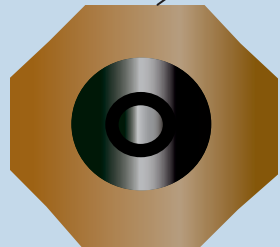
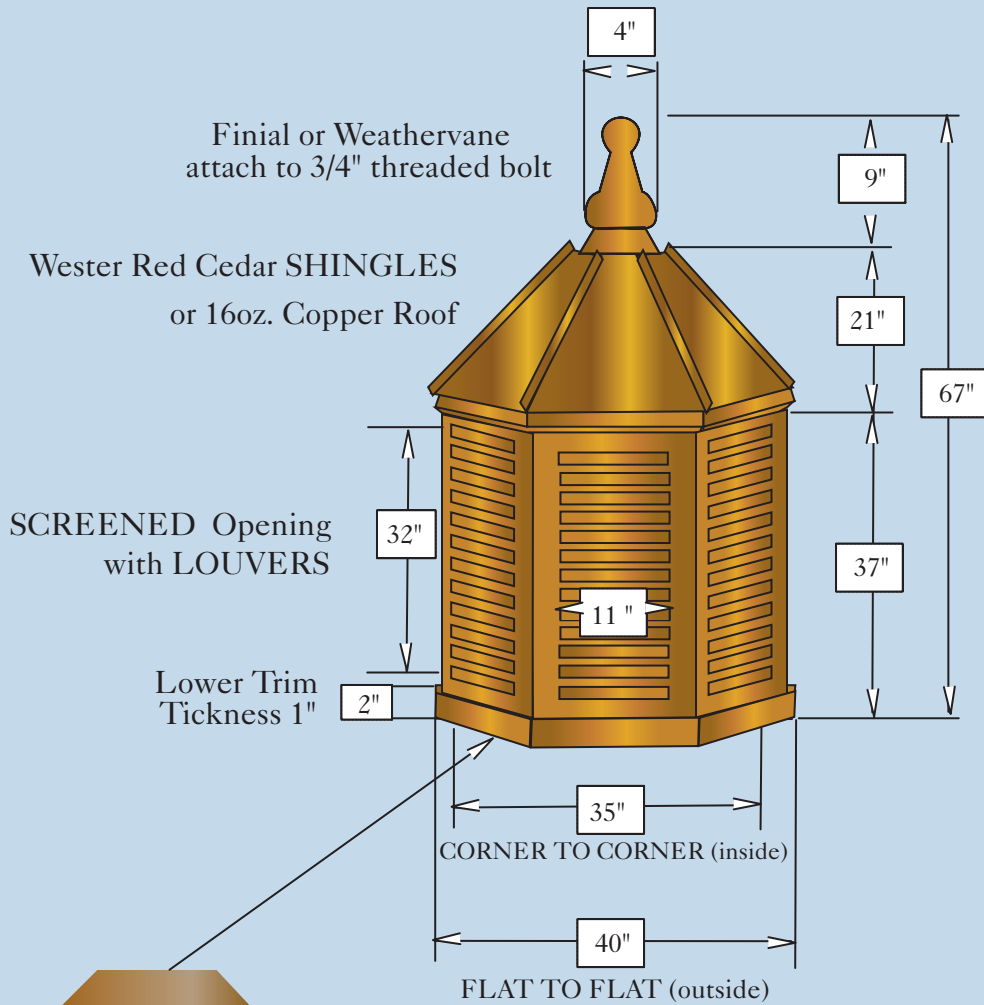


OCTAGONAL CUPOLA

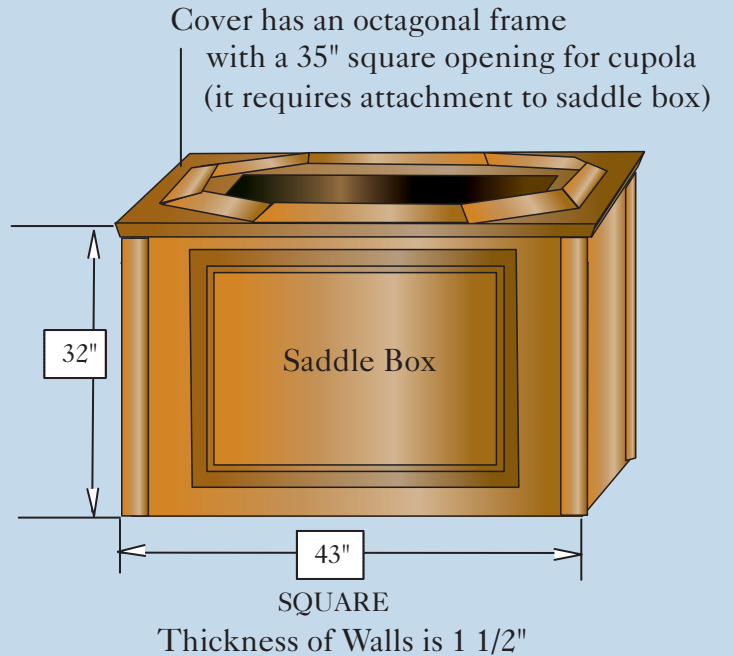
43" x 99"



Wester Red Cedar BODY & BASE



LIGHT FIXTURE in bottom of cupola



Saddle Box has to be cut to fit roof angle