

Vixen Hill
Manufacturing Company

Main Street
Elverson Pa. [19520]
Phone: 610-286-0909
Fax 610-286-2099

SHEET TITLE: Octagonal Cupola

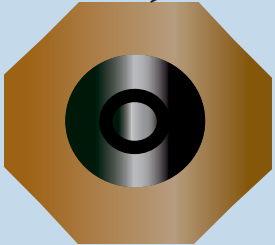
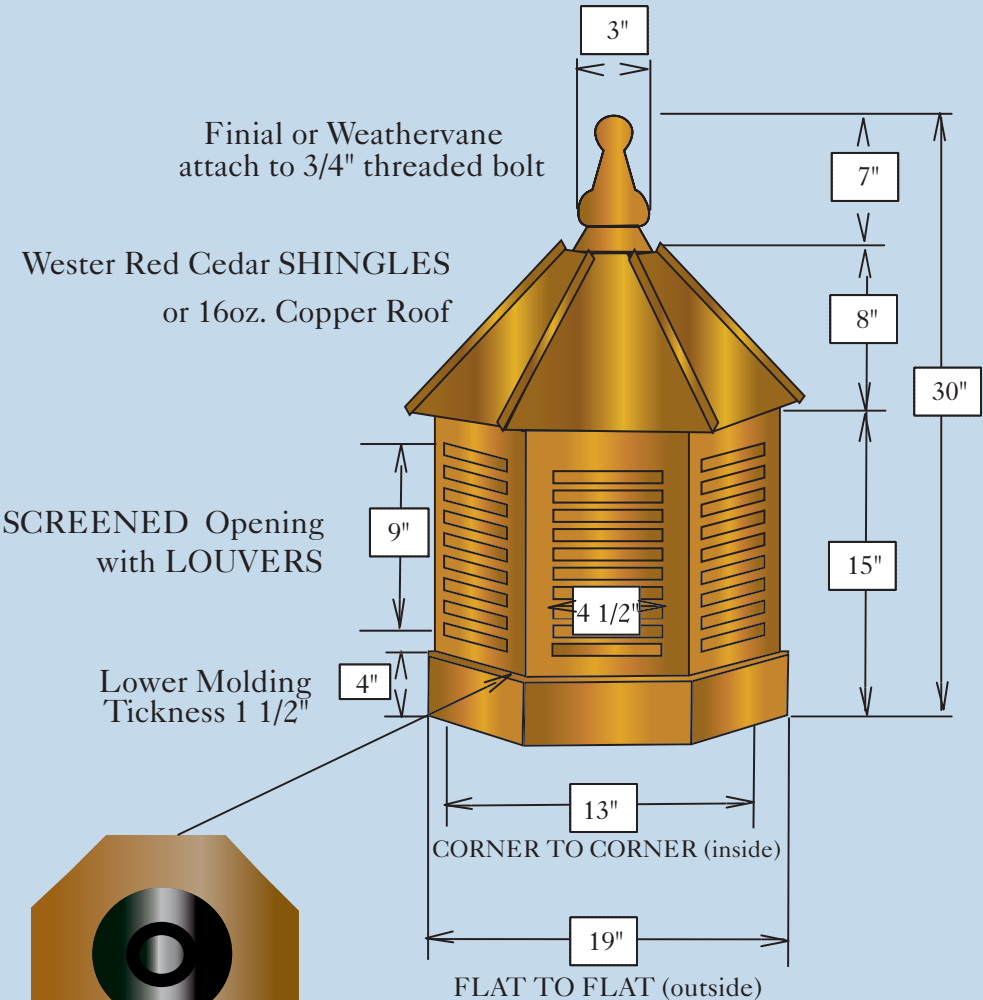
DRAWN BY: Andrea Beringer

Date: 09-2007

DRAWING NO: 001 MODEL: 21" x 48"

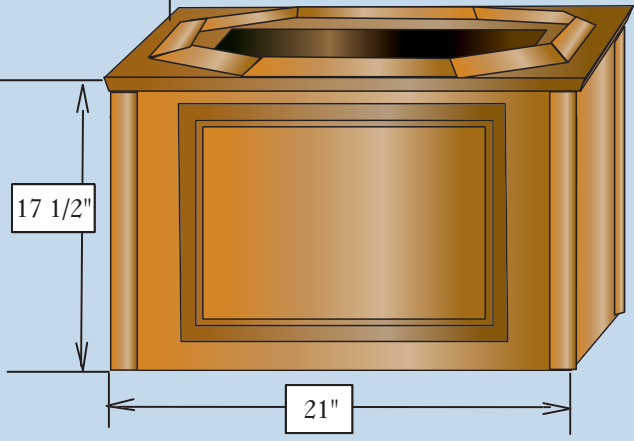
PROJECT: Cupola Structural System

Wester Red Cedar BODY & BASE



LIGHT FIXTURE
in bottom of cupola

Saddle Box has octagonal frame attached to cover
with a square 13" opening for cupola



SQUARE
Thickness of Walls is 1"

Saddle Box has to be cut to fit roof angle