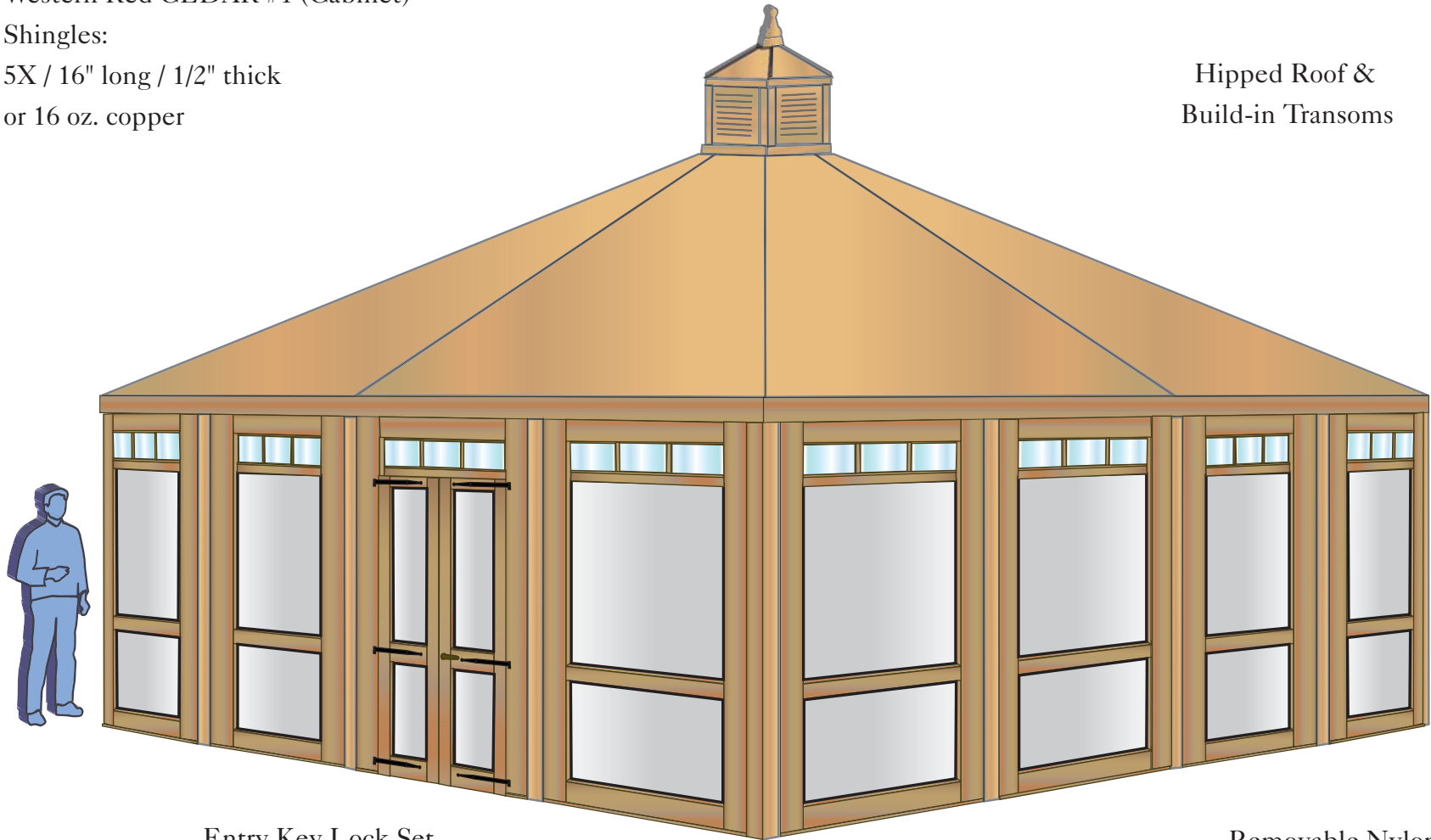


Lumber:  
Western Red CEDAR #1 (Cabinet)  
Shingles:  
5X / 16" long / 1/2" thick  
or 16 oz. copper

Modular CABANA Kit  
16' x 16' (6x6)

Hipped Roof &  
Build-in Transoms



Entry Key Lock Set  
*(bright brass or dark bronze)*

Removable Nylon Screens  
w/ aluminum frame  
(in white or brown)



**VIXEN HILL CEDAR  
PRODUCTS**

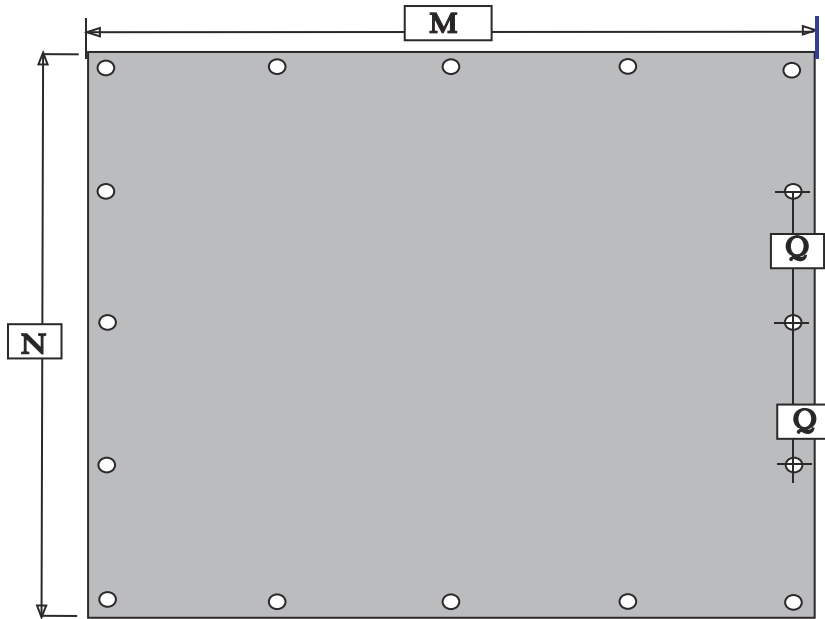
P.O.Box 389 - Elverson, PA 19520  
800-423-2766

Created by: Andrea Beringer

Date: May 2013

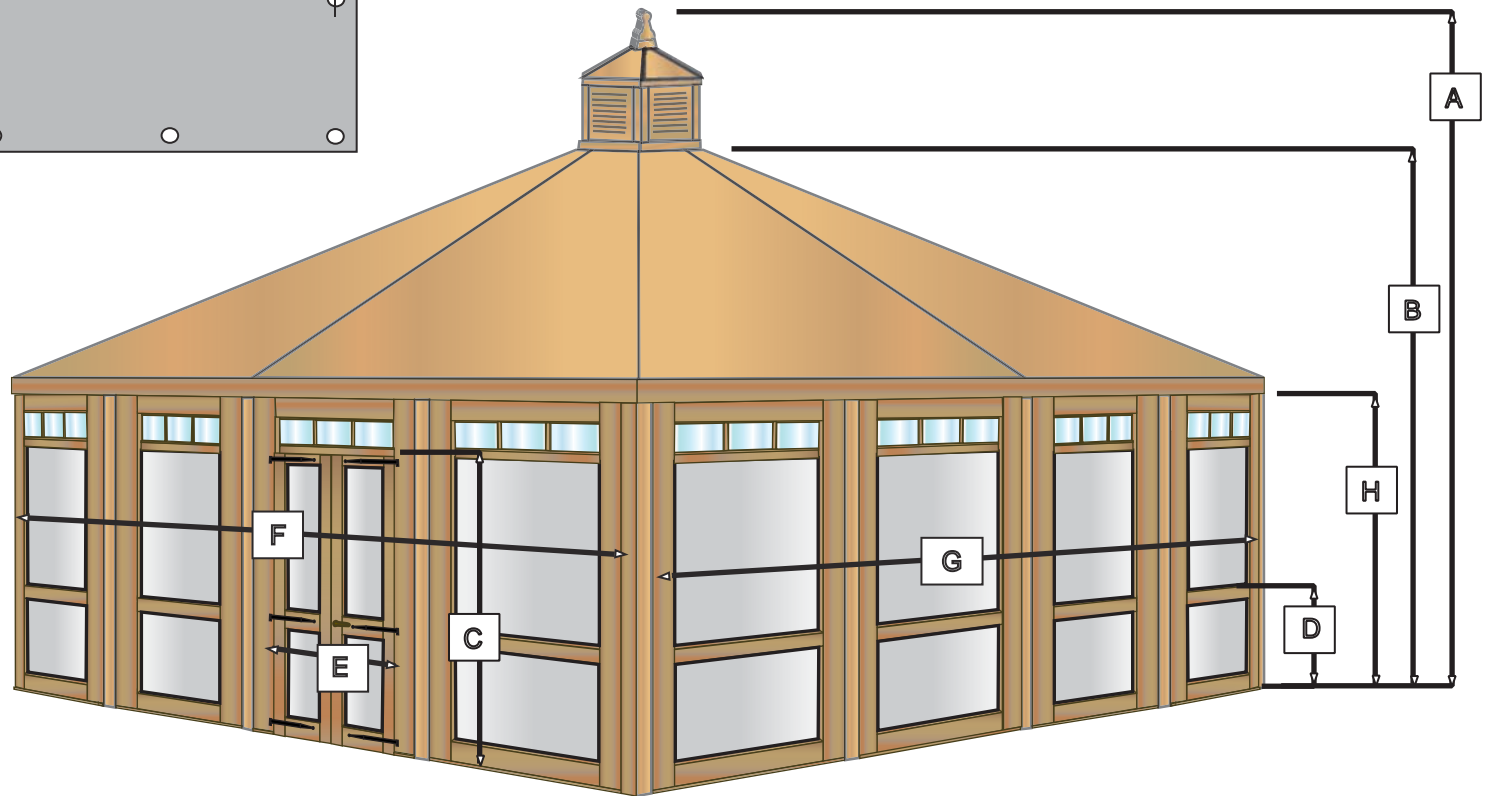
Drawing: 1 of 9  
Model: 16' x 16' (6x6)

### FOUNDATION DIMENSIONS



### SIZE & DIMENSIONS

Key: Based on hipped roof type	16' x 16'
A: Height, Overall	185"
B: Height, Grade/peak	165"
C: Height, Entrance	80 1/4"
D: Height, Top of Cross Rail	34"
E: Width, Door Entrance	38"
F: Width, Interior (long side)	187"
G: Width, Interior (short side)	187"
H: Height of Wall Panel	101"
Foundation Key:	
M: Width, Point to Point	202 1/2"
N: Width, Flat to Flat	202 1/2"
Q: Spread, Post Centers	48"



**VIXEN HILL CEDAR PRODUCTS**

P.O.Box 389 - Elverson, PA 19520  
800-423-2766

Created by: Andrea Beringer

Date: May 2013

Model: 16'x 16' (6x6)

Drawing: 2 of 9

DITMAR BEAM

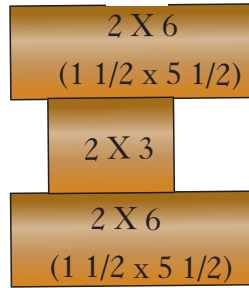
6x6 Post (4 9/16" x 4 9/16")

Post Tenon (3 1/2" high)

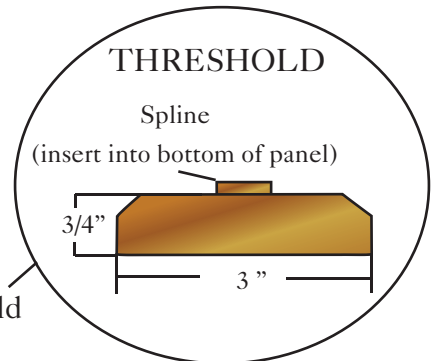
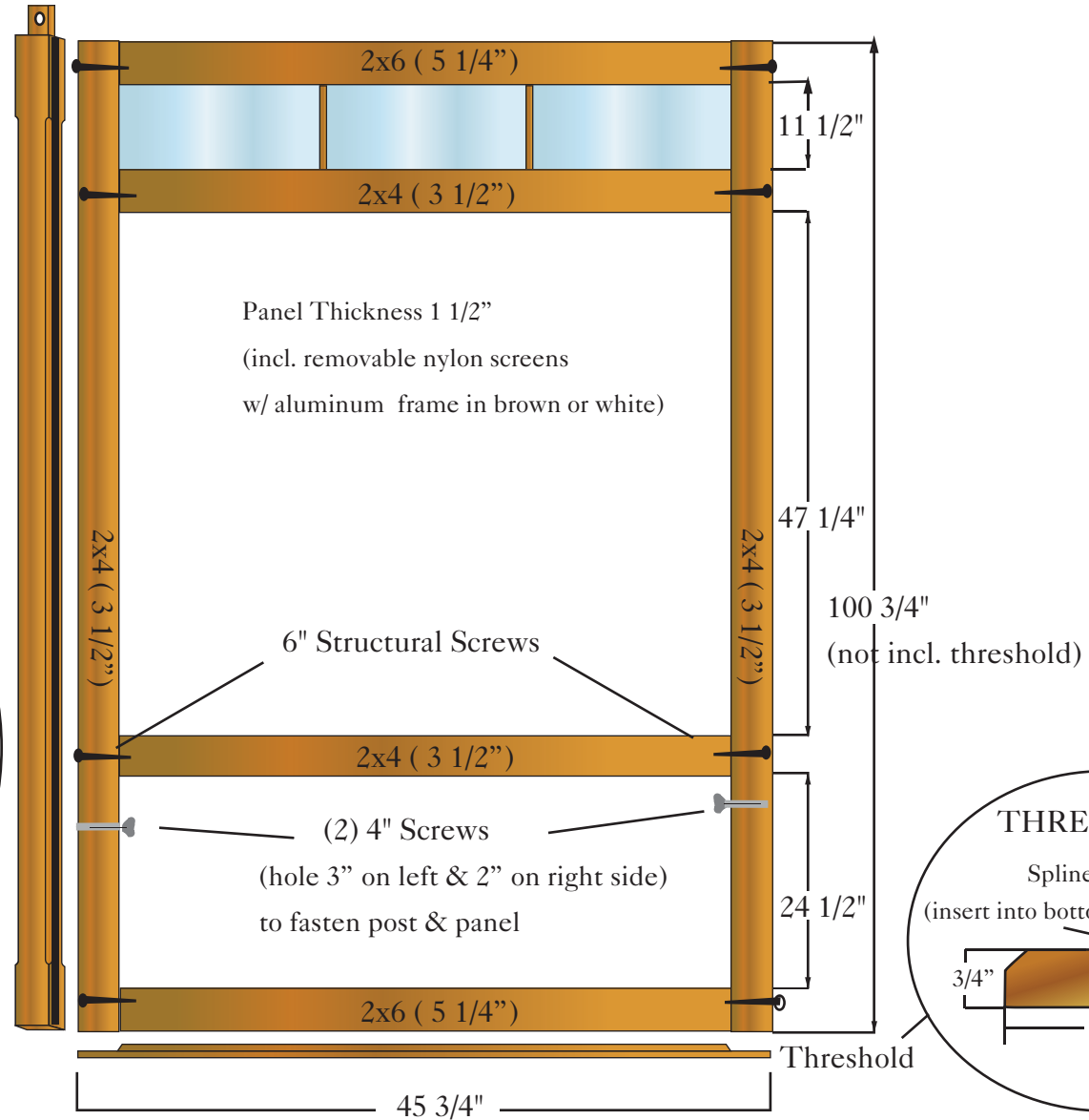
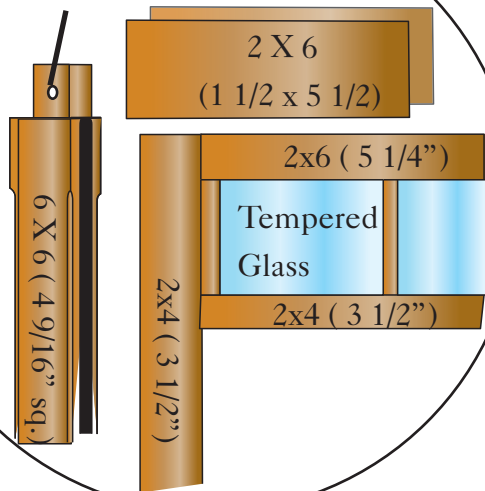
Post Groove (1 3/16" x 1 9/16")

WALL PANEL, POST &  
DITMAR BEAM CONSTRUCTION

"TOP VIEW



5/8" HOLE for  
5 5/8" x 1/2" SS ROD



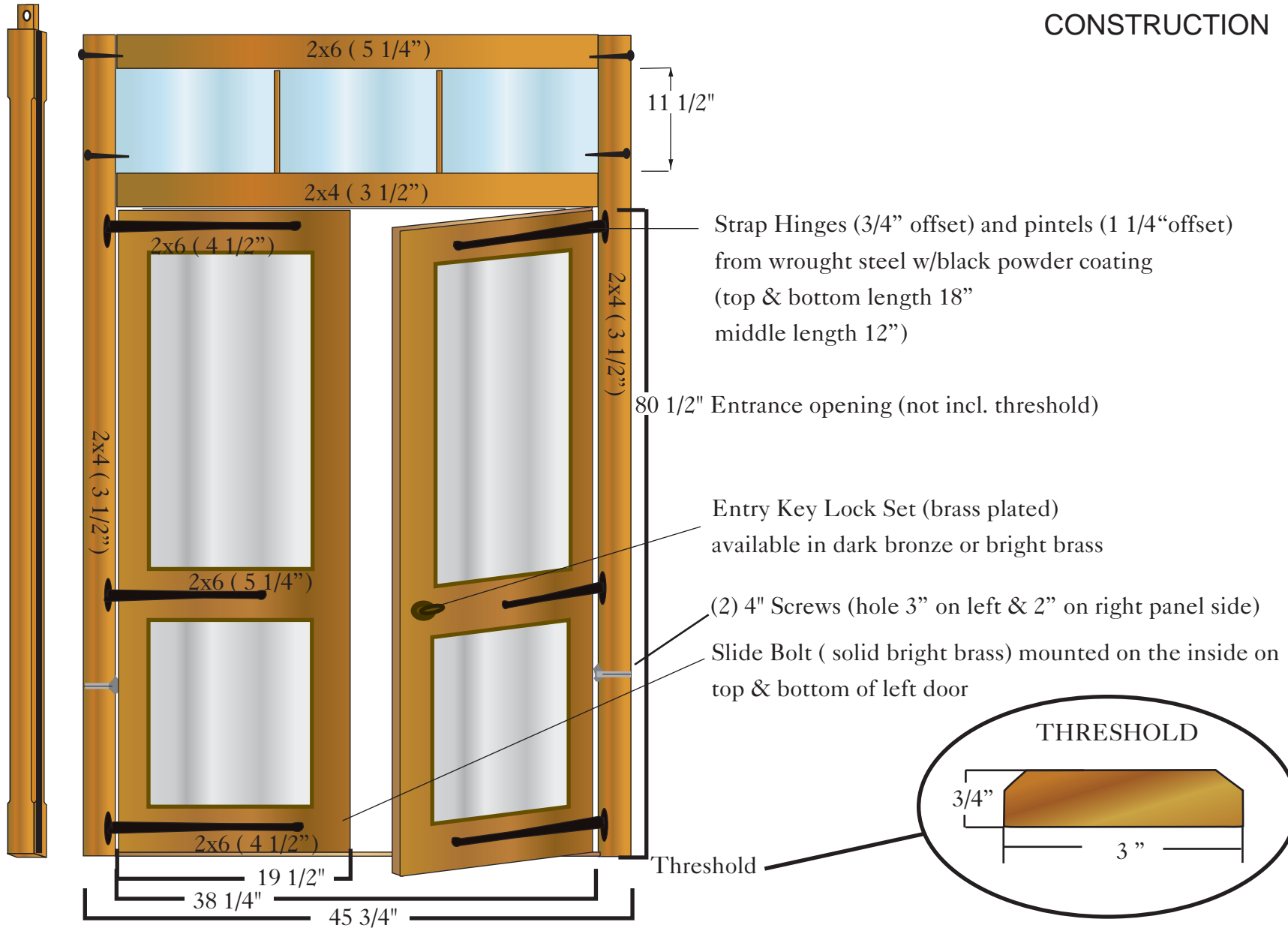
**VIXEN HILL CEDAR  
PRODUCTS**  
P.O.Box 389 - Elverson, PA 19520  
800-423-2766

Created by: Andrea Beringer

Date: May 2013

Drawing: 3 of 9  
Model: 16'x16' (6x6)

# DOUBLE DOOR CONSTRUCTION



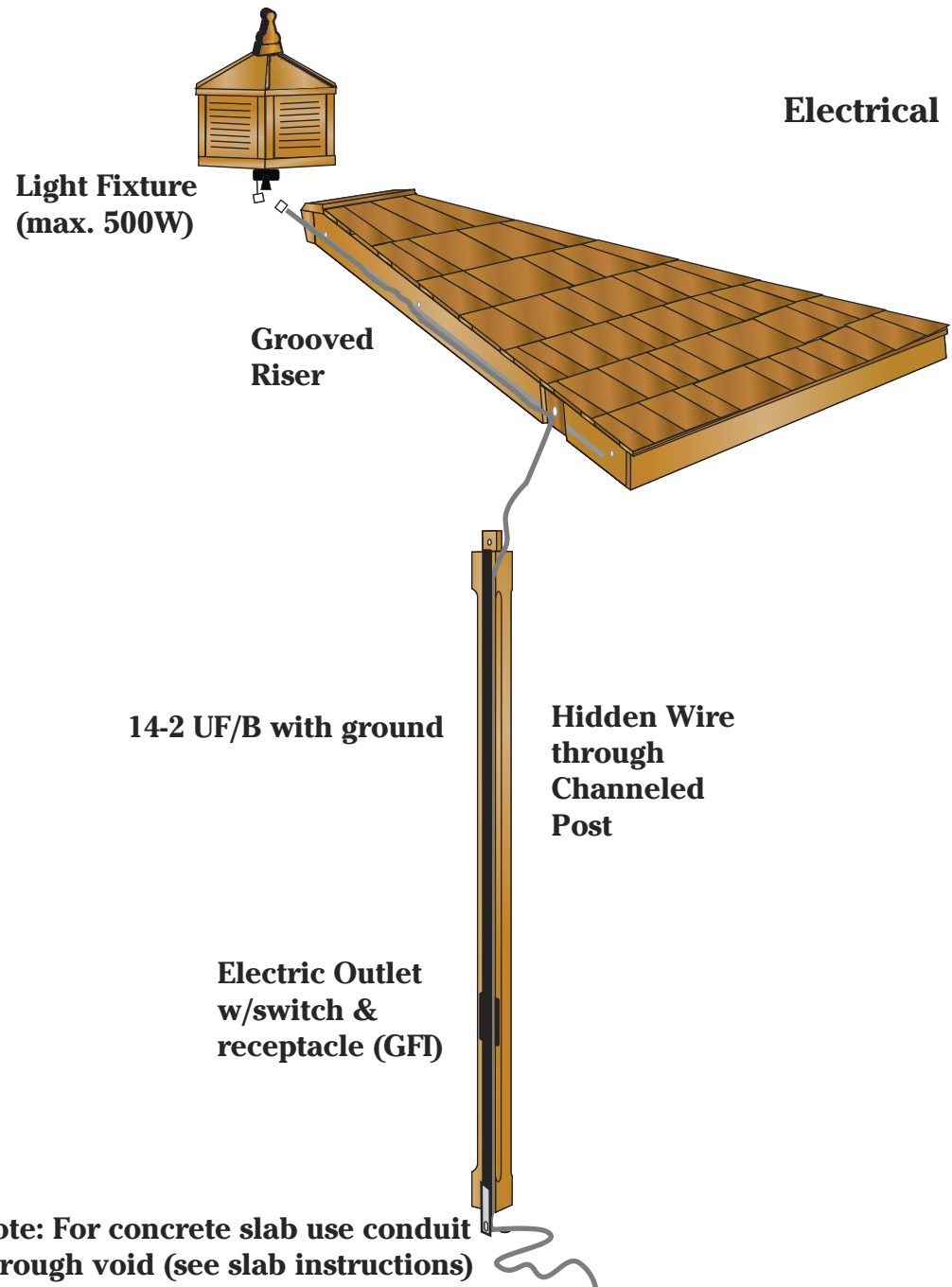
**VIXEN HILL CEDAR PRODUCTS**  
 P.O.Box 389 - Elverson, PA 19520  
 800-423-2766

Created by: Andrea Beringer

Date: May 2013

Drawing: 4 of 9  
 Model: Cabana Hip Roof

**Electrical**



**Additional Options:  
Outlet posts (dual)  
Fan Control post (fan/light)  
Channel Posts (for custom wiring)**



**VIXEN HILL CEDAR  
PRODUCTS**  
P.O.Box 389 - Elverson, PA 19520  
800-423-2766

Created by: Andrea Beringer

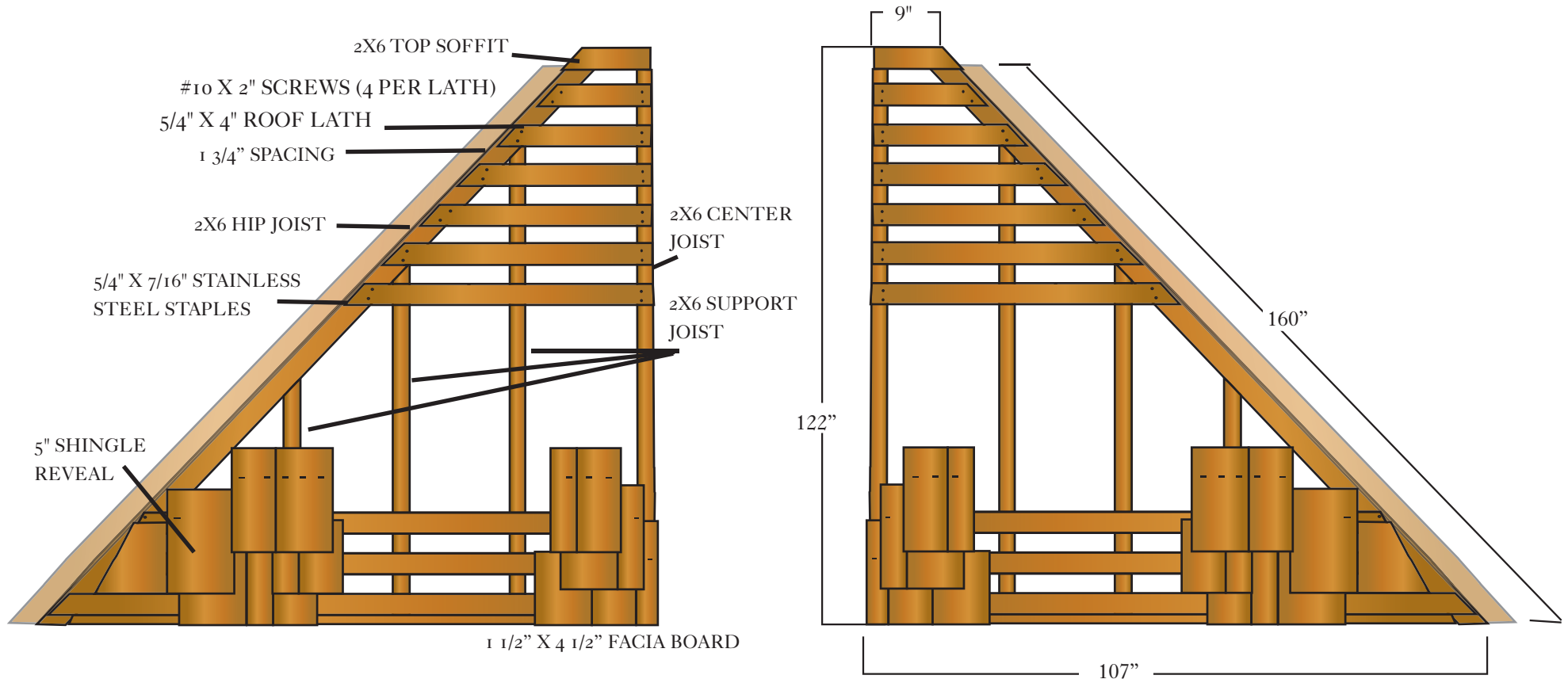
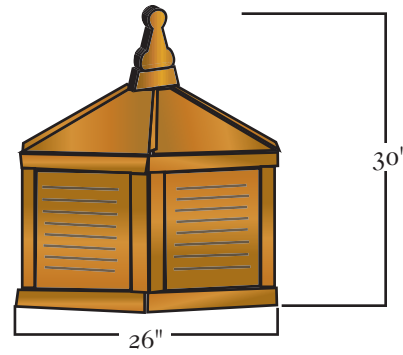
Date: May 2013

Drawing: 5 of 9  
Model: CABANA

# ROOF CONSTRUCTION

THE CUPOLA IS CONNECTED WITH STAINLESS STEEL SCREW FROM THE UNDER SIDE OF THE ROOF LATH.

CEDAR SHINGLE OR 16 OZ. COPPER



**VIXEN HILL CEDAR PRODUCTS**

P.O.Box 389 - Elverson, PA 19520  
800-423-2766

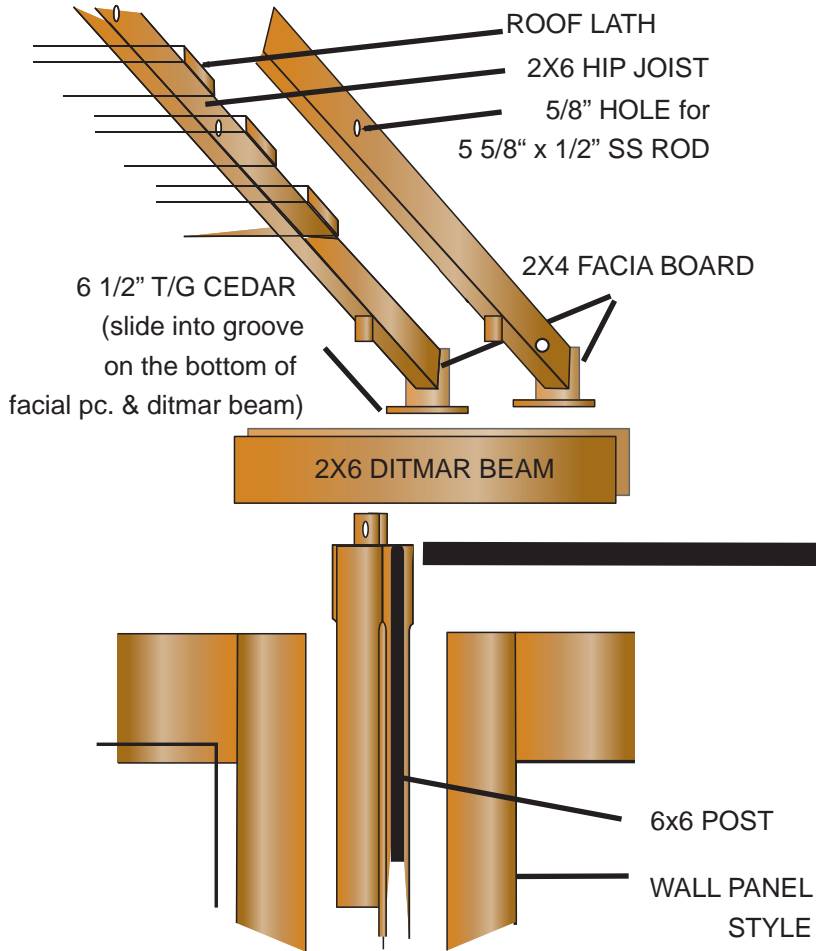
Created by: Andrea Beringer

Date: May 2013

Model: Cabana Hip Roof

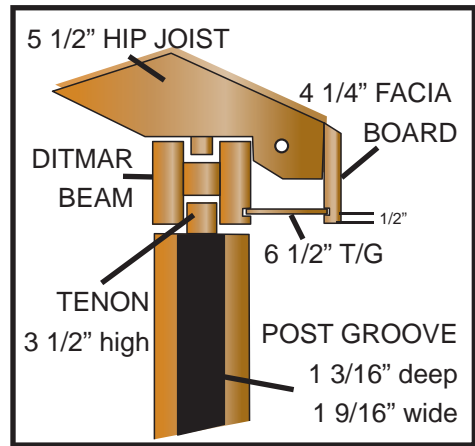
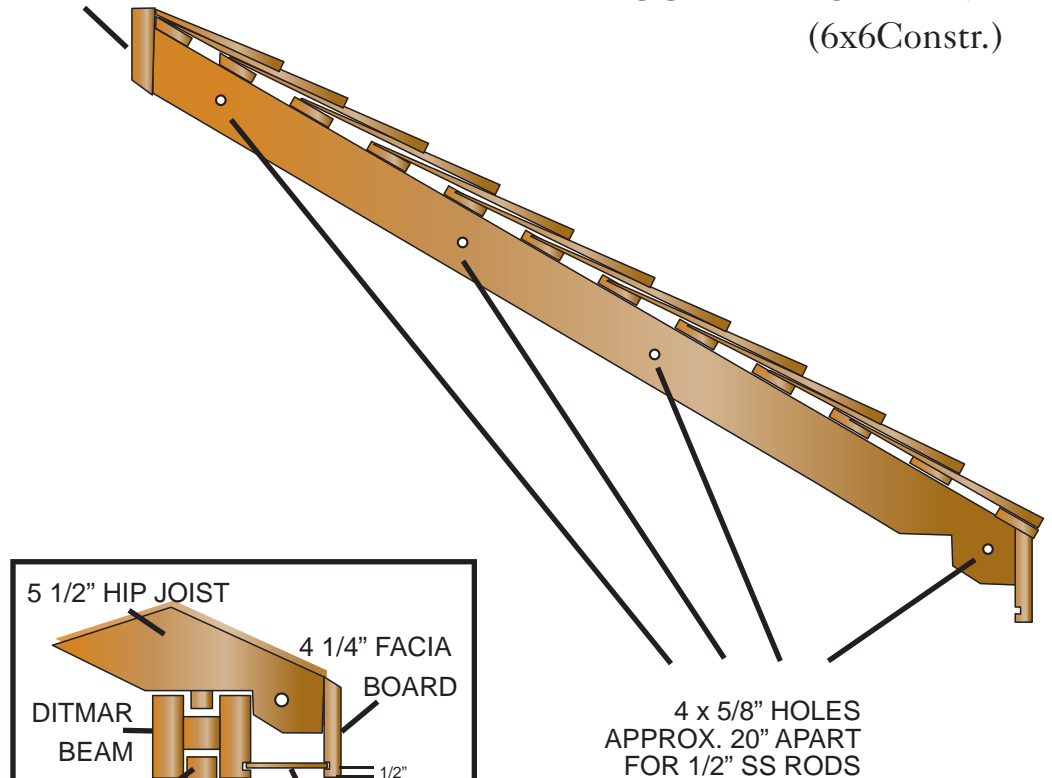
Drawing: 6 of 9

ROOF / POST / DITMAR BEAM CONNECTION

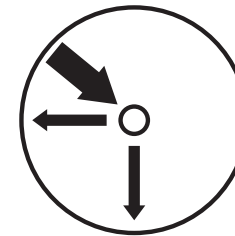


2X6 TOP SOFFIT

HIP-ROOF ATTACHMENT (6x6 Constr.)



ROOF SYSTEM  
 RIDGED TRIANGULAR MODULES CONNECT TO FORM A CONIC ROOF SYSTEM. THE COMPRESSION RING IS INTEGRAL TO THE CONIC DESIGN AND ALLOWS RESULTANT FORCES TO BE PERPENDICULAR TO GRADE.



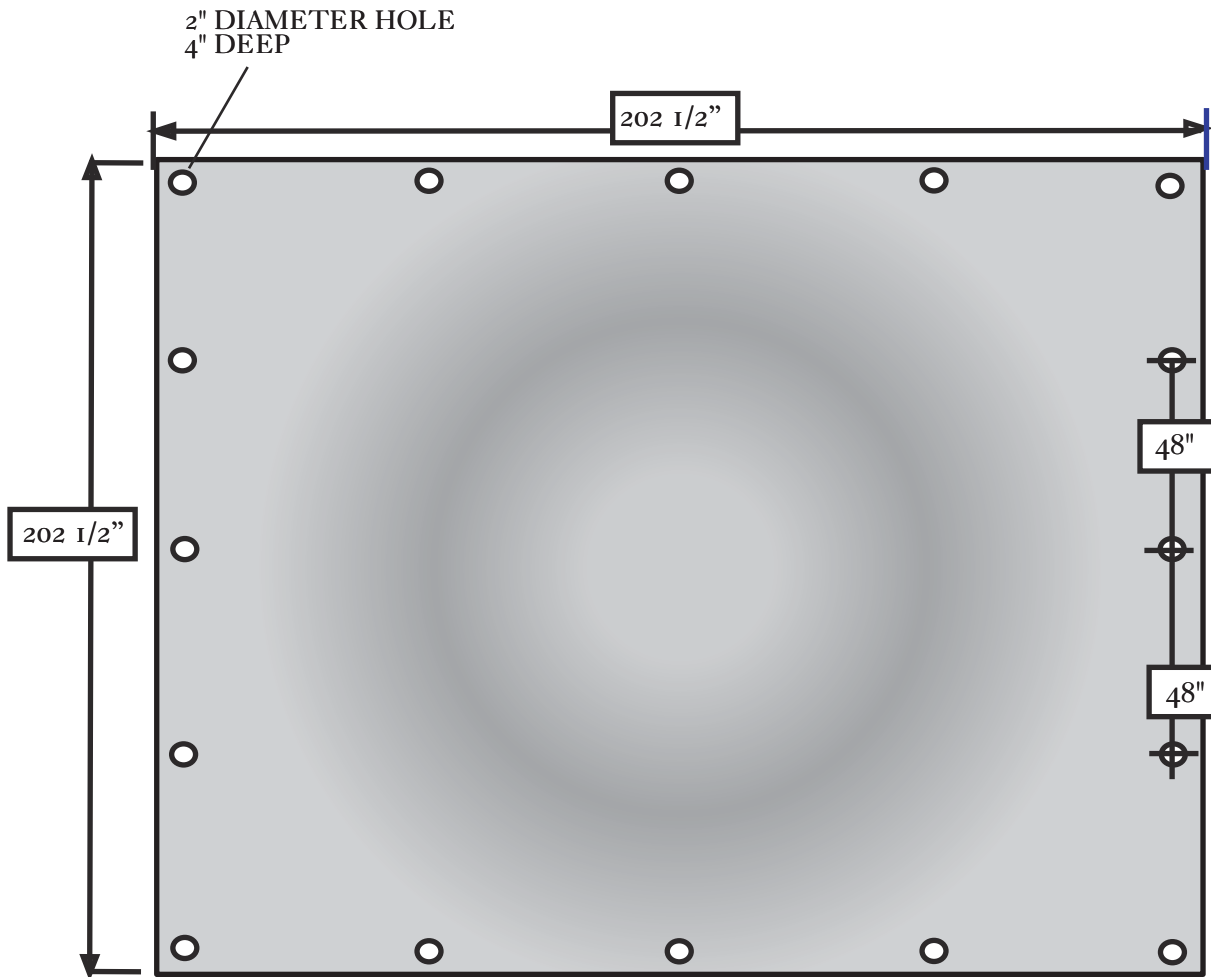
**VIXEN HILL CEDAR PRODUCTS**  
 P.O.Box 389 - Elverson, PA 19520  
 800-423-2766

Created by: Andrea Beringer

Date: May 2013

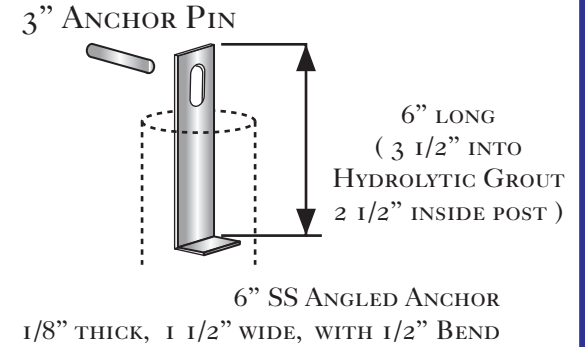
Drawing: 7 of 9  
 Model: 16'x16' (6x6)

## SLAB DIMENSIONS

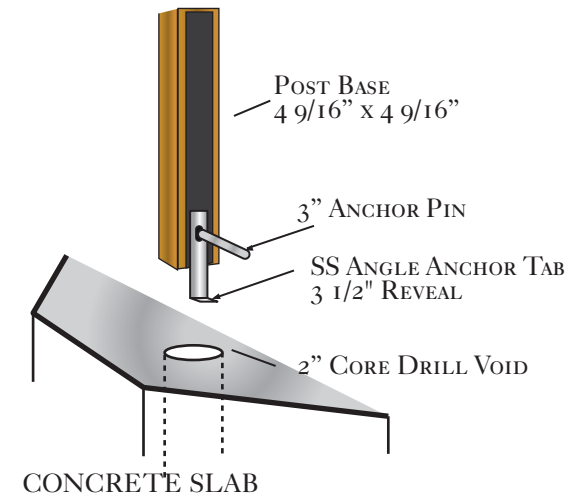


Electrical Post: Pre-wired post has to be placed at power feed!

## ANCHORING HARDWARE DIMENSIONS



## POST ANCHORING ON CONCRETE SLAB



**VIXEN HILL CEDAR  
PRODUCTS**

P.O.Box 389 - Elverson, PA 19520  
800-423-2766

Created by: Andrea Beringer

Date: May 2013

Drawing: 8 of 9  
Model: 16'x16' (6x6)



## SPECIFICATIONS FOR THE CABINET MODELS (8' X 12', 12' X 12', 12' X 16' & 16' X 16')

### PART 1 GENERAL

1.1 SCOPE. THE CONTRACTOR SHALL FURNISH AND INSTALL A WOODEN GAZEBO AS SHOWN ON PLANS AND HEREIN SPECIFIED AS SUPPLIED BY VIXEN HILL MFG. CO. INC., OF ELVERSON, PA 19520.

### PART 2 PRODUCT

2.1 WOOD MATERIALS. FOR CABINET GRADE SHALL BE FABRICATED FROM AIR-DRIED, #1 OLD GROWTH & ROT RESISTANT WESTERN RED CEDAR. ALL WOOD SHALL BE GRAIN SELECTED DURING IN-HOUSE MILLING FOR BEST APPLICATION AND SAFE USE.

2.2 ROOFING SYSTEM. SHINGLES SHALL BE OF OR EQUAL TO #1 PERFECTION CLEAR HEART CEDAR AND PER THE FOLLOWING SPECIFICATIONS 5X, 16" LONG, 1/2" THICK, TAPERED. ROOF LATH SHALL BE OF NO LESS THAN NET FINISHED SIZE 1X3" WITH A 5" SPACING. ROOF SECTIONS SHALL BE MOSTLY PRE-ASSEMBLED AND COMPLETELY PRE-CUT, AND JOINTS BETWEEN ROOF SECTIONS SHALL BE SELF-SEALING TO PRECLUDE CAPPING. CAULK IS RECOMMENDED TO BE USED AT THE ROOF JOIST.

2.3 SURFACE FINISH. ALL WOOD MEMBERS SHALL BE SURFACED FOUR SIDES. SURFACES DISPLAYING PLANER SKIPS OR SAW MARKS AFTER DRESSING SHALL BE LIMITED TO LESS THAN 25% OF SHOWN FACES. HAND CONTACT EDGES MAY BE ROUNDED, CHAMFERED, OR EDGE-SHAPED FREE OF SPLINTERS AND SMOOTH TO THE TOUCH. ALL EXPOSED SURFACES SHALL BE PREPARED FOR MAXIMUM ACCEPTANCE OF OIL-BASED FINISHES (OPTIONAL WITH ADDITIONAL COST).

2.4 HARDWARE. ALL ASSEMBLY & ANCHORING HARDWARE SHALL BE PROVIDED. CONCEALED ROTO-LOCKS ARE BUILT INTO THE WALL PANEL. THE THREADED RODS FOR THE PANEL CAPPING PIECES ARE OF GALVANIZED STEEL WITH STAINLESS STEEL CAP NUTS & WASHERS AND OF A FINISH TYPE TO CONCEAL ALL THREADS. ALL HARDWARE IN GROUND CONTACT SHALL BE OF STAINLESS STEEL FOR CABINET GRADE. NO NAILS SHALL BE REQUIRED OR PROVIDED. THE STRAP HINGES FOR THE DOOR(S) ARE MADE FROM ZINC-PLATED & POWDER-COATED STEEL WITH A FLAT AND SMOOTH FINISH.

2.5 ELECTRICAL. STANDARD FOR CABINET GRADE. THE PRE-WIRED POST PROVIDES 110V ELECTRICAL SERVICE THROUGH WIRE (14-2 UF/B WITH GROUND). THE POST HAS AN ELECTRICAL BOX WITH (GFI) RECEPTACLE AND LIGHT SWITCH. THE LIGHT FIXTURE IS SCREWED INSIDE THE CUPOLA FOR UP TO 500W STRENGTH. WIRES SHALL BE HIDDEN WITHIN THE COMPONENT PARTS THROUGH GROOVED ROOF SECTION AND CHanneled POST. ALL ELECTRICAL COMPONENTS SHALL BE UL APPROVED.

2.6 CONNECTIONS & ANCHORING. FACTORY MODULE CONSTRUCTION SHALL INCLUDE POCKET JOINTS AND STAINLESS STEEL THREADED FASTENERS. ON-SITE INTER-CONNECTION OF MODULES SHALL BE ACHIEVED USING THREADED RODS AND STAINLESS OR BRASS CAP NUTS AND WASHERS. ANCHORING SHALL BE CONCEALED AND APPROPRIATE TO THE SURFACE MOUNTING MATERIAL. THE LARGER MODULES REQUIRE 1/3 OF THE SHINGLES TO BE APPLIED AFTER THE ROOF MODULES ARE JOINT TOGETHER, AS WELL AS OTHER MINOR CARPENTRY WORK.

2.7 ENGINEERING. DESIGN OF CONNECTIONS AND MATERIALS USED SHALL BE SUCH AS TO ADHERE TO STRUCTURAL REQUIREMENTS OF MAJOR BUILDING CODES. DRAWINGS AND REPRESENTATIVE ENGINEERING SHALL BE AVAILABLE FROM THE MANUFACTURER FOR THE PURPOSE OF PERMITS OR ARCHITECTURAL REVIEW.

### PART 3 EXECUTION

3.1 PREFABRICATION. ALL COMPONENT PARTS SHALL BE PRE-ASSEMBLED TO THE FULLEST EXTENT POSSIBLE, TO PRECLUDE ANY ON-SITE DRILLING, CUTTING, FILLING, NAILING OR SANDING. ALL PREFABRICATION FASTENERS SHALL BE HIDDEN FROM VIEW OR CHanneled AND STRIPPED WITH MATCHING WOOD WHERE VISIBLE.

3.2 INSTALLATION. THE GAZEBO KIT SHALL BE SUPPLIED WITH ALL NECESSARY HARDWARE, SHOP DRAWINGS AND COMPLETE INSTRUCTIONS TO PROVIDE FOR EFFICIENT ON-SITE ASSEMBLY. SOME CARPENTRY SKILLS REQUIRED, CALL US FOR ASSISTANCE AND/OR INSTALLATION SERVICE.



**VIXEN HILL CEDAR  
PRODUCTS**

P.O. Box 389 - Elverson, PA 19520  
800-423-2766

Drawing: 8 of 9

Created by: Andrea Beringer

Date: May 2013

Model: CA