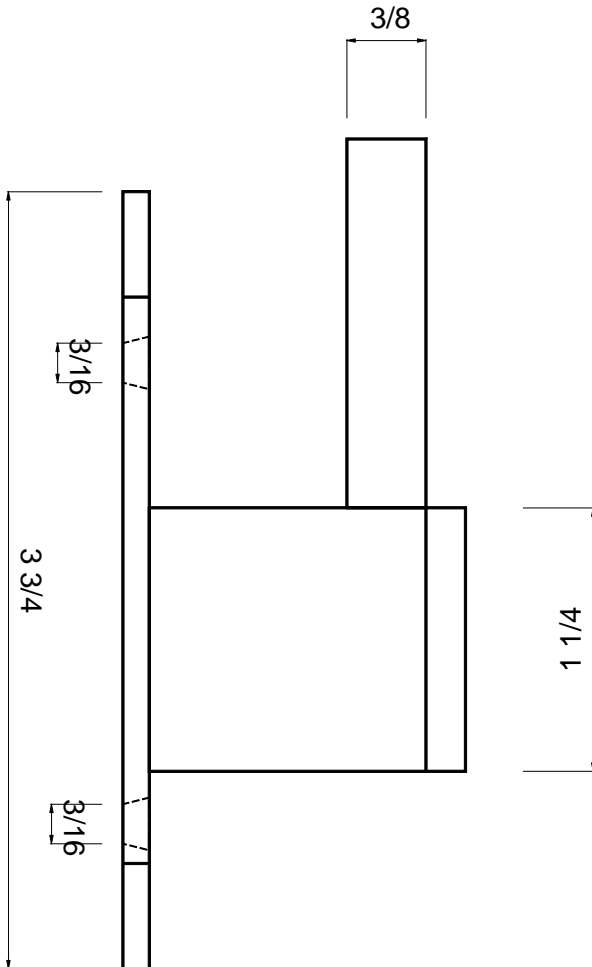
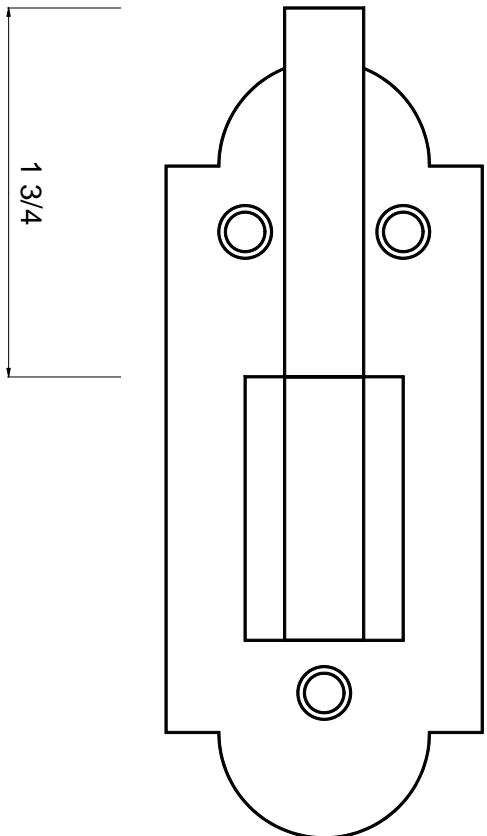
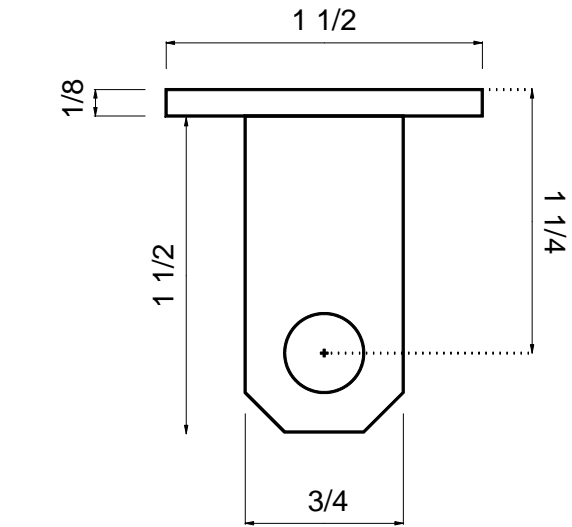


**VIXEN HILL HARDWARE SPECIFICATION**

Model:P-1 1/4 VH

1 1/4" Plate Mount Pintel



3/16

3/16